

## Type T3Y — Screw Terminals, Next To Gap

### Two-Piece Band

#### Standard Termination Location:

next to same gap on each half; across center of width

- \* **Minimum Inside Diameter:** 3" (76.2 mm)
- \* **Minimum Width:** with 8-32 Post Terminals — 2" (50.8 mm)  
with 10-32 Post Terminals — 2-1/2" (63.5 mm)
- \* **Maximum Volts:** 480VAC each half
- \* **Maximum Amps:** 25A (10-32) or 20A (8-32) each half



**Note:** Type T3Y is not available on One-Piece or One-Piece Expandable Mi-Plus Band Heaters

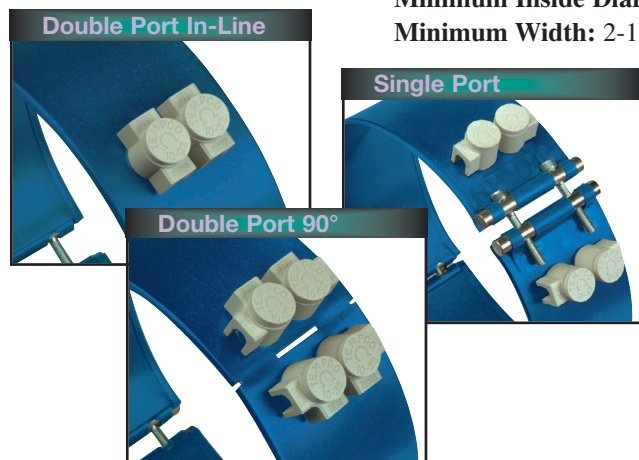
## Optional Igloo™ Ceramic Covers for Heaters with Screw Terminals

Igloo™ ceramic terminal covers consist of two individual ceramic parts. With a tight-fitting cap and a solid base, an Igloo will fully insulate any standard #8 or #10 terminal lug used for electrical wiring hookups. Igloos can be assembled onto any standard Mi-Plus Band with 8-32 or 10-32 screw terminals. Igloo Double Port 90° are recommended on expandable heaters with Type T3X Termination. Igloo Double Port In-Line will not fit on expandable heaters with Type T3X termination.

**Exposed electrical wiring on band heater installations is a violation of Electrical Safety Codes including O.S.H.A.**

**Minimum Inside Diameter:** 2-1/2" (63.5 mm)

**Minimum Width:** 2-1/2" (63.5 mm)



Three types of Igloo™ bases are available:

- Type C6** — Double Port In-Line P/N CER-101-104
- Type C7** — Double Port 90° P/N CER-101-106
- Type C8** — Single Port P/N CER-101-107

Igloo™ caps are available in the three crew terminal sizes:

- 10-32** — P/N CER-102-101
- 10-24** — P/N CER-102-104
- 8-32** — P/N CER-102-105

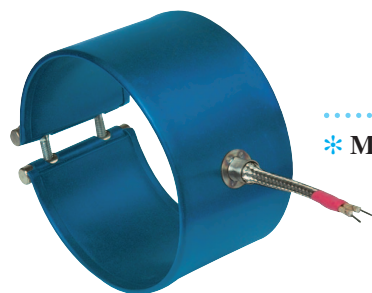
*When ordering, specify the type of Igloo and the screw terminal size.*

Selection  
**TERMINATION**  
Guide

## Mi-Plus® Type W1 — Abrasion Resistant Straight Wire Braid Leads

The lead wires exit straight out through a stainless steel eyelet. Flexible stainless steel wire braid leads are highly recommended for improved abrasion resistance. Wire braid leads offer sharp bending not possible with armor cable.

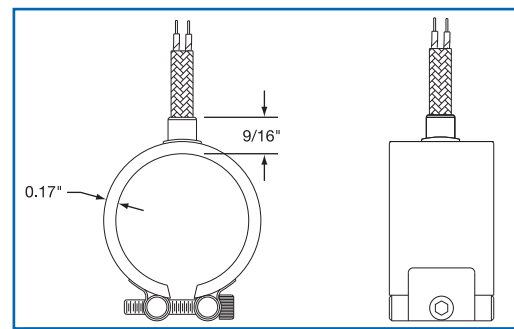
This stainless steel braid is loosely wrapped around two mica insulated lead wires rated for 842°F (450°C). The standard leads are 10" of stainless steel loose wire braid over 12" of flexible leads. *If longer leads are required, specify when ordering.*



### One-Piece Band

**Standard Termination Location:**  
opposite the gap; center of width

- \* **Minimum Inside Diameter:** 1" (25.4 mm)
- \* **Minimum Width:** 1" (25.4 mm)
- \* **Maximum Volts:** 480VAC.
- \* **Maximum Amps:** 12.5



CONTINUED