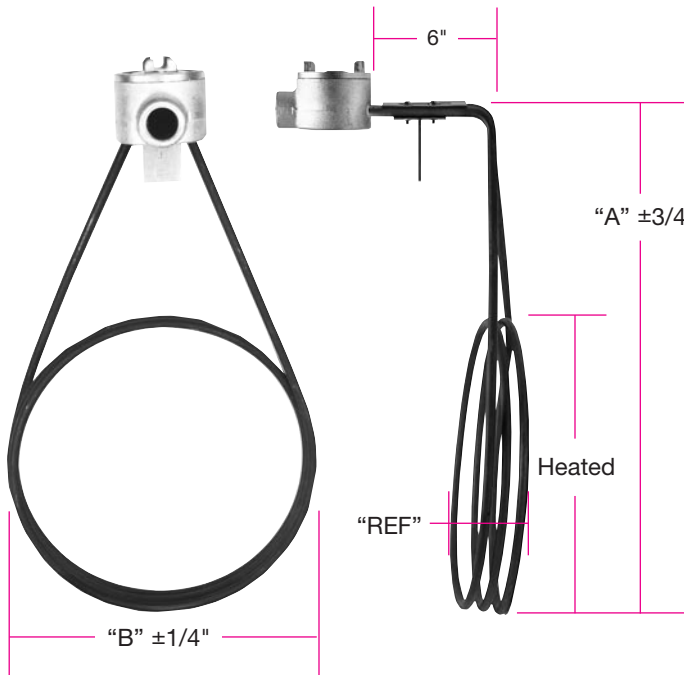


Vertical Loop – Low Profile Immersion Heaters



Design Features

- * Used on open-top tanks for heating water, water-based solutions, citrus juices, plating tanks, oil tempering, salt baths and other mild corrosive solutions.
- * NEMA 4 (moisture resistant) housing with integral grounding terminal is standard. Other NEMA ratings available.
- * Low-profile design with adjustable SS mounting bracket.
- * Optional Passivated, Electropolished, or Bright Annealed surface treatments available for Stainless Steel or Incoloy sheath designs.
- * External power wiring options including flexible cord/plug, armor cable, braided or plain lead wire.
- * Optional Hi-limit MI thermocouple on heater sheath.

Standard (Non-Stock) and Stock Sizes

Stock Items Are Shown In **RED**

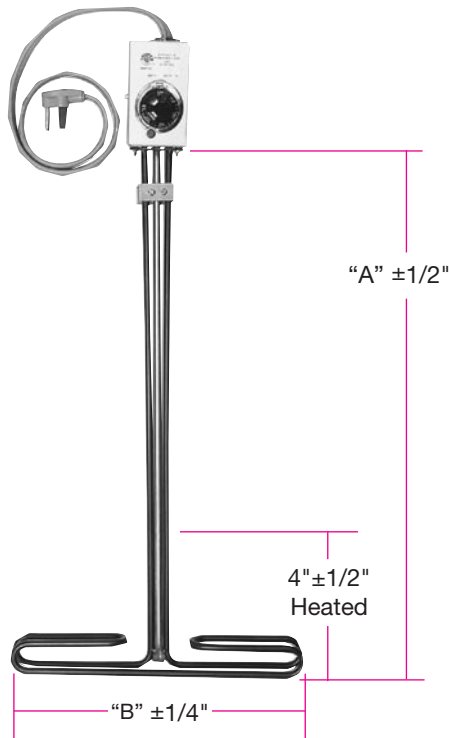
Sheath	Watt Density		Volts	Dimensions (in)			Part Number
	w/in ²	Watts		"A"	"B"	"REF"	
Copper	25	5000	240	26	15	2	TAT50011
	40	7500	240	26	15	2	TAT50012
Stainless Steel	25	5000	240	26	15	2 3/4	TAT50013
	40	7500	240	26	15	2 3/4	TAT50014
Steel	25	5000	240	26	15	2	TAT50015
	40	7500	240	26	15	2	TAT50016

Standard lead time is Stock to 3 weeks.

Sanitizing Sink Immersion Heaters

Design Features

- * Used for sterilization of water tanks in restaurants, taverns and laboratories
- * Double Pole 60-250°F thermostat with over-temperature cutout. Optional pilot lamp to indicate heater on/off status available.
- * Standard 6 ft. (optional 4 ft.) cord set with grounding plug (NEMA 5-15P for 120V and 6-30P for 240V)
- * Adjustable Stainless Steel mounting bracket
- * Consult Tempco for custom designs



Standard (Non-Stock) and Stock Sizes

Stock Items Are Shown In **RED**

Sheath	Watt Density w/in ²	Watts	Volts	"A" Dim. in	"B" Dim. in	Part Number
316 Stainless Steel (Electropolished)	65	6000	240	26	17	TAT40001
	56	4000	240	26	13	TAT40002
	16	1500	120	26	17	TAT40003
	14	1000	120	26	13	TAT40004
316 Stainless Steel (Bright Annealed)	65	6000	240	26	17	TAT40005
	56	4000	240	26	13	TAT40006
	16	1500	120	26	17	TAT40007
	14	1000	120	26	13	TAT40008

Standard lead time is Stock to 3 weeks.

Ordering Information

Catalog Heaters

Order by Part Number for catalog heaters listed.

Custom Engineered/Manufactured Heaters

Consult Tempco.

⚠ WARNING: Cancer and Reproductive Harm - www.P65Warnings.ca.gov.