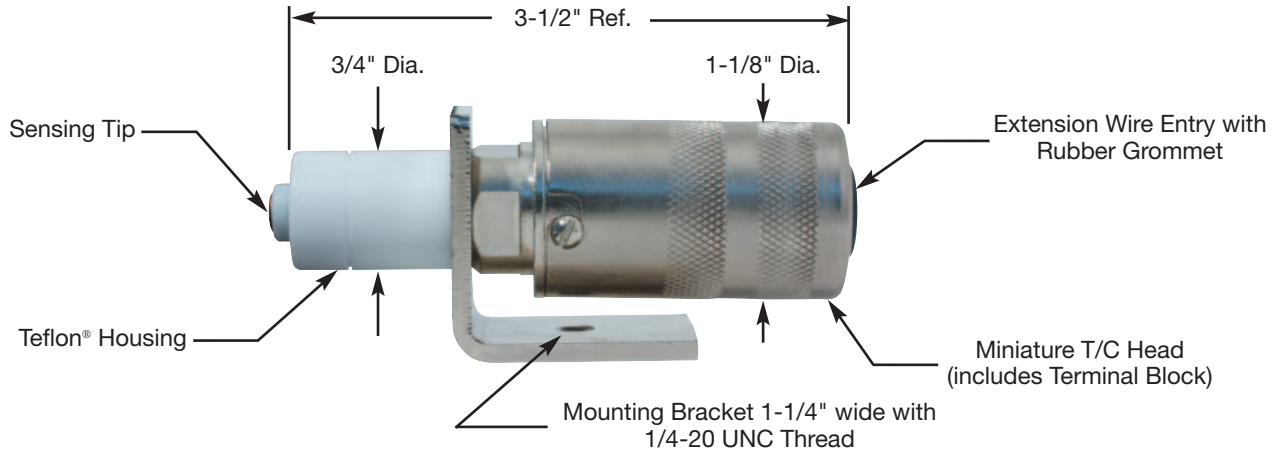


Special Application Thermocouples

Spring-Loaded Surface Contact Thermocouple

This Type J thermocouple is used to sense the temperature of moving drums or rollers. Spring-loaded tip provides free movement and proper contact of the sensing tip. The sensing tip is made of copper for fast response time. Thermocouple wires are terminated in a miniature connection head and connected to a terminal block. This thermocouple can be operated up to 500°F (260°C).



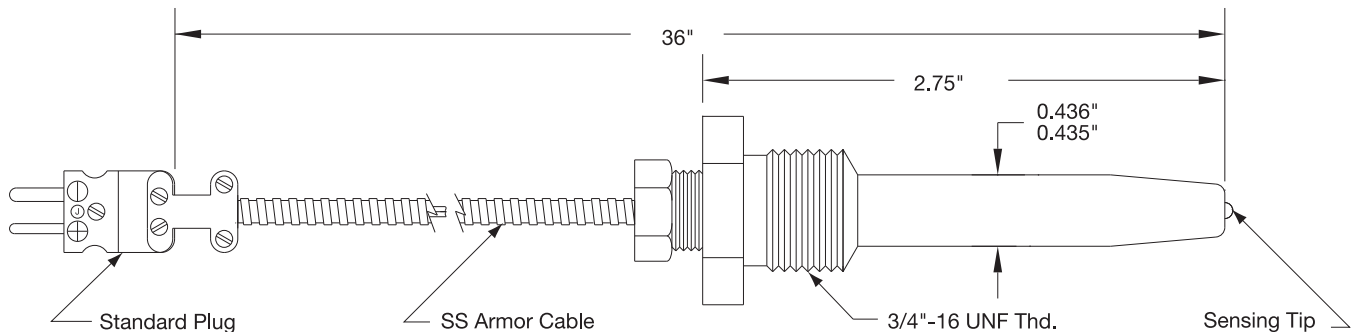
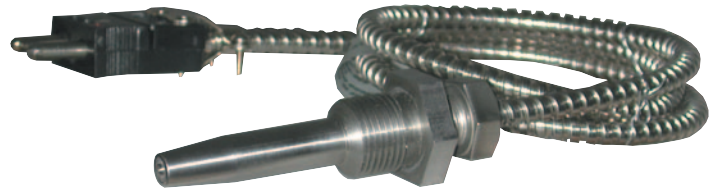
Part Number: TCP90185

Type J calibration; consult Tempco for other calibrations.

Compound Mixer Thermocouple

This Type J thermocouple is used in mixers and pelletizers. The body is made of 416 SS. The ungrounded junction, and sensing tip, is isolated from the body with a high temperature thermal barrier to ensure accuracy.

Maximum Operating Temperature: 750°F (400°C).



Part Number: TCP90231