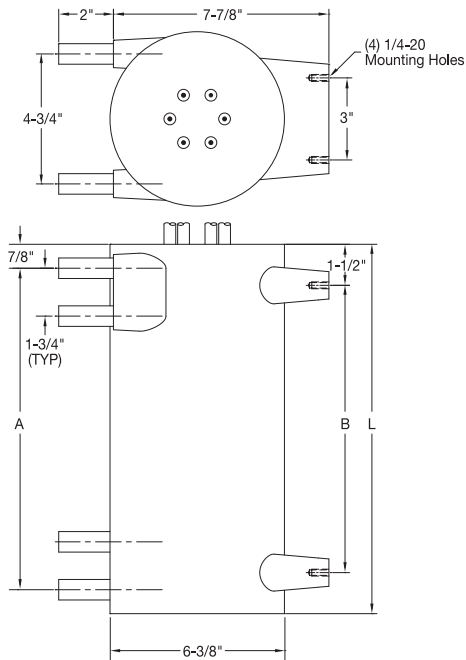
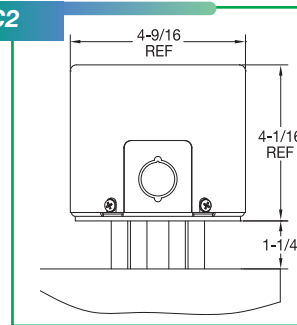


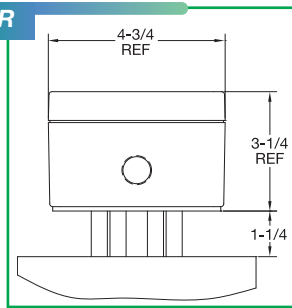
### CHX-300 Series Circulation Heater



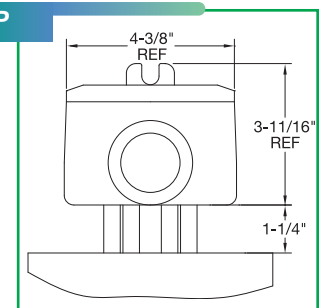
Type C2



Type MPR



Type EP



Length "L"	Inlet-to-Outlet Centerline "A"	Mounting Holes "B"	Flow Tube OD	Flow Tube Material	Used with Insulation Blanket
13.5	11.75	10	3/4	316 SS Seamless	BLK50006
19.5	17.75	16			BLK50007
25.5	23.75	22			BLK50008

### Ordering Information

To process your order or quotation, please specify the following information.

#### Heater Specifications:

##### Dimensions

Length "L":  13.5"  19.5"  25.5"  Custom \_\_\_\_\_

##### Electrical Specifications

Watts \_\_\_\_\_ (30,000W Max.) Volts \_\_\_\_\_ (480V Max.)

Single-Phase  Three-Phase

##### Termination Type

Type "T"  Type "T7" (See page 3-54 for details.)

##### Terminal Protection Box

Type C2  Type MPR  Type EP (See pages 3-56 & 3-57 for details)

##### Flow Tube Configuration

Single  Dual

##### Flow Tube Fittings

None  "FF" Flared Seal Fitting  "HS" Hi-Seal Fitting (See page 3-52 for details.)

#### Optional Temperature Sensor Specifications:

##### Calibration

Type J  Type K

##### Bayonet Style T/C

None  "Style 1" Spring Adjustable  "Style 2" Armor Cable Adjustable  
(See page 14-3 for complete details.)

##### Termination

"Style B" 2-1/2" Split Leads  "Style S" Spade Lugs  "Style P" Standard Plug  
(See page 14-9 for details.)

##### Length

36"  48"  60"  72"  96"  120"  144"

#### Optional Thermostat:

##### Thermostat

SPST  DPST

**NOTE:** DPST requires larger Type C2 enclosure. Specify when ordering.  
(See page 13-63 for details.)

**⚠ WARNING:** Cancer and Reproductive Harm - [www.P65Warnings.ca.gov](http://www.P65Warnings.ca.gov).