

## Stock Ceramic Terminal Blocks

### Heavy Duty High Temperature Ceramic Line Wiring Blocks (Exposed Terminals)

Used for interfacing heater assemblies, CRA housings and ARA arrays to external line wiring.

#### Design Features

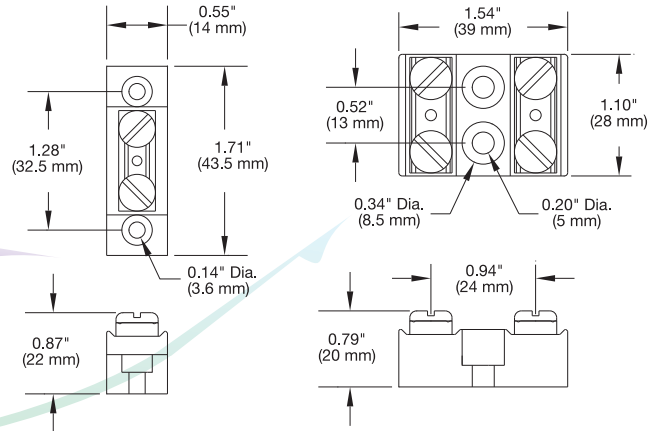
- \* **Maximum Voltage:** 500 VAC
- \* **Maximum Current:** 44 Amps @ 104°F ambient
- \* **Maximum Temperature:** 240°C/464°F
- \* **Wire Gauge:** 18 to 8 ga.
- \* **Terminal Screw:** M4, zinc-plated steel
- \* **Body Material:** Steatite
- \* **Agency Approvals:** None

#### Optional Terminal Hardware

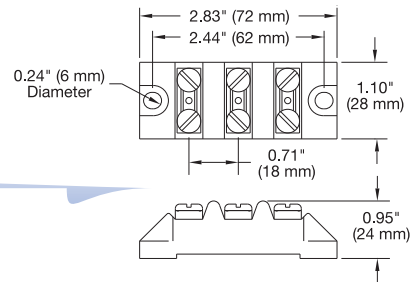
**Stainless Steel Flat Washer** — Part Number: WAS-109-101

**Spring Lock Washers** — Part Number: WAS-118-108

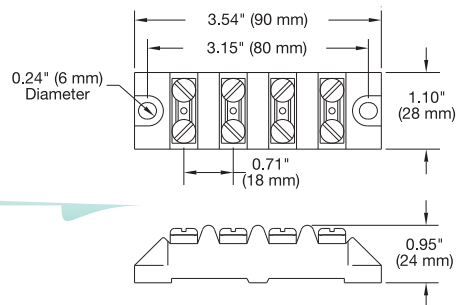
Part Number: EHD-108-106



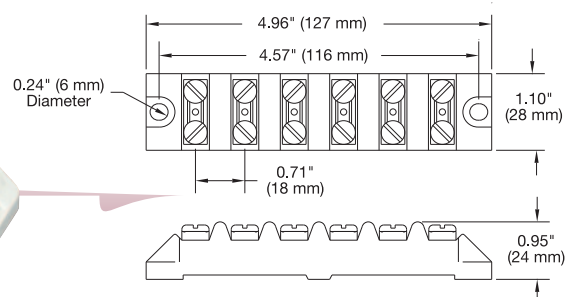
Part Number: EHD-108-107



Part Number: EHD-108-108



Part Number: EHD-108-109



Part Number: EHD-108-105



All Items Available from Stock