

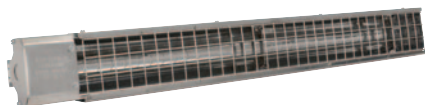


### TRH4 Series — Dual Hairpin Element Bend Double End Termination



### Standard (Non-Stock) Sizes and Electrical Ratings

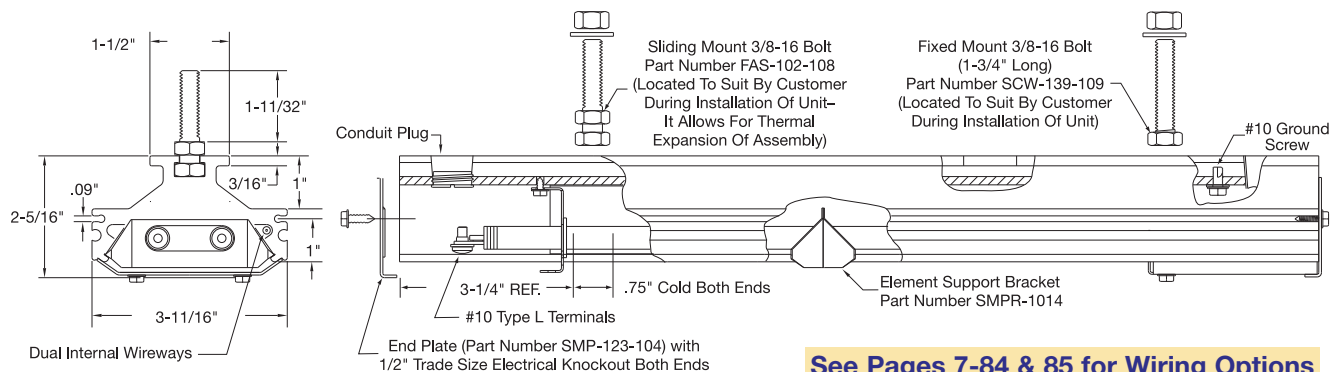
Wattage	Volts	Overall Length in.	Heated Length in.	Part Number without Wire Guard	Part Number with Protective Wire Guard	Replacement Heating Element	Replacement Protective Wire Guard	Replacement Reflector Set
6000	208	72	64	TRH40001	TRH40019	THE09161	GRD-104-119	SMPR-1070
	240			TRH40002	TRH40020	THE09162		
	277			TRH40003	TRH40021	THE09163		
	480			TRH40004	TRH40022	THE09164		
7200	208	84	76	TRH40005	TRH40023	THE09165	GRD-104-120	SMPR-1069
	240			TRH40006	TRH40024	THE09166		
	277			TRH40007	TRH40025	THE09167		
	480			TRH40008	TRH40026	THE09168		
8000	208	96	88	TRH40009	TRH40027	THE09169	GRD-104-121	SMPR-1071
	240			TRH40010	TRH40028	THE09170		
	277			TRH40011	TRH40029	THE09171		
	480			TRH40012	TRH40030	THE09172		
9000	208	108	100	TRH40013	TRH40031	THE09173	GRD-104-122	SMPR-1072
	240			TRH40014	TRH40032	THE09174		
	277			TRH40015	TRH40033	THE09175		
	480			TRH40016	TRH40034	THE09176		



**Heater with Protective Guard**  
Helps prevent accidental direct contact with heating element.



**Note:** Tubular elements are supplied at the same rated voltage as the overall assembly and are wired in parallel. 120 or 240V rated assemblies can be used at twice the rated voltage by wiring the elements in series (120/240V or 240/480V).



**See Pages 7-84 & 85 for Wiring Options**

**See Page 7-84 for Stock Heavy Duty Quick Disconnect Plugs and Receptacles**