



Range and Accuracy

Table of Input Range and Accuracy

Input Range Table

For Models TEC-220, TEC-920, TEC-9100, TEC-9200, TEC-8100, TEC-7100, TEC-4100, TEC-4220, TEC-4230 TEC-2500, TEC-9300, TEC-8300, TEC-4300

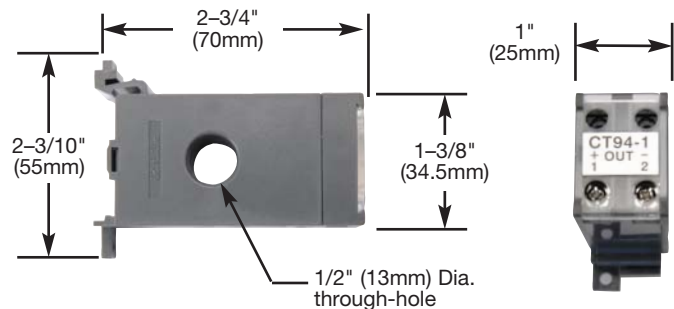
Type	Range	Accuracy @ 25°C	Input Impedance
J	-184 to 1832°F -120 to 1000°C	±3.6°F ±2.0°C	2.2MΩ
K	-328 to 2498°F -200 to 1370°C	±3.6°F ±2.0°C	2.2MΩ
T	-418 to 752°F -250 to 400°C	±3.6°F ±2.0°C	2.2MΩ
E	-148 to 1652°F -100 to 900°C	±3.6°F ±2.0°C	2.2MΩ
B	32 to 3272°F 0 to 1800°C	±3.6°F ±2.0°C	2.2MΩ
For Models TEC-2500, TEC-9300, TEC-8300, TEC-4300			
B	32 to 3308°F 0 to 1820°C	±3.6°F ±2.0°C	2.2MΩ

Type	Range	Accuracy @ 25°C	Input Impedance
R	32 to 3214°F 0 to 1767°C	±3.6°F ±2.0°C	2.2MΩ
S	32 to 3214°F 0 to 1767°C	±3.6°F ±2.0°C	2.2MΩ
N	-418 to 2372°F -250 to 1300°C	±3.6°F ±2.0°C	2.2MΩ
L	-328 to 1652°F -200 to 900°C	±3.6°F ±2.0°C	2.2MΩ
PT100 (DIN)	-346 to 1292°F -210 to 700°C	±0.7°F ±0.4°C	1.3KΩ
PT100 (JIS)	-328 to 1112°F -200 to 600°C	±0.7°F ±0.4°C	1.3KΩ
mV	-8 to 70mV	±0.05%	2.2MΩ
mA	-3 to 27mA	±0.05%	70.5Ω
VDC	-1.3 to 11.5Vdc	±0.05%	650KΩ
For Models TEC-2500, TEC-9300, TEC-8300, TEC-4300			
VDC	-1.3 to 11.5Vdc	±0.05%	302KΩ

Current Transformer Data Sheet – Model TEC 99999

Design Features

- * High Accuracy: ± 2% of Reading ± 0.2A
- * Wide Measuring Range: 0 – 50 Amps AC
- * DC Voltage Output
- * 35 mm DIN Rail Mount or Surface Mount
- * 7/16" (12.5mm) diameter maximum cable size
- * Nominal Current: 0 – 50A
- * Peak Current: 70 ARC 1 minute
- * Output Impedance: 2.7 KΩ
- * Frequency Range: 47 ~ 63 HZ, sinewave
- * Breakdown Voltage: 2500 VAC, 1 minute
- * Isolation Resistance: > 500 MΩ vs. 500 VAC
- * Ambient Temperature: 0 ~ 60 °C
- * Storage Temperature: -20 ~ 80 °C
- * Weight: 105 grams
- * CE Approval



Typical Characteristics

AC Current Under Voltage	DC Output Measurement
0.0 A AC	0.000 VDC
0.2 A AC	0.0082 VDC
1.0 A AC	0.0817 VDC
10 A AC	0.945 VDC
50 A AC	5.000 VDC
60 A AC	5.990 VDC
70 A AC	6.980 VDC

Note: Current beyond 50 A AC is not recommended for a time period of longer than 1 minute.