

Radiant Process Heaters



Series CRE and CRR E-Mitters

Type CRE & CRR Edison Screw-In Bulb E-Mitters



Type CRE
Bulb Shape

Type CRR
Flat Face

Design Features

- * Provides safe, clean, radiant heat anywhere
- * Easy installation
- * Not affected by vibration— high mechanical strength
- * Good resistance to atmospheric contamination
- * Does not generate visible light— only heat
- * Reversible color change feature
- * 3.5 to 7 μ m infrared radiation peak wavelength


Edison Screw-In Bulb E-Mitters

The CRE and CRR Style E-Mitters are hollow ceramic heaters with a unique thin wall construction and geometrical shape to facilitate fast heating and cooling rates.

The resistance coil is embedded into the specially designed circular ceramic E-mitter surface, providing extremely uniform heat transmission with low element surface temperatures.

Because of the convenient Edison Screw-In style termination, CRE & CRR E-Mitters are recognized as a tremendously versatile source for localized spot heating. They can be used virtually anywhere quickly and easily by simply installing the CRE E-Mitter into common porcelain/ceramic insulated bulb sockets—like any ordinary light bulb.

Typical Applications

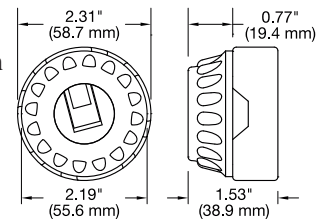
- Plastic Thermoforming and vacuum forming
- Curing adhesives
- Curing dental composite material
- Heating laboratory samples and specimens
- Comfort heat for agricultural, zoological and reptilian pet applications
- Preventing moisture accumulation and freezing in electrical control boxes
- Preventing moisture accumulation, mildew and freezing in clothes lockers
- Resistor Banks
- Agricultural
- Agency Approval: 



Screw-In Base

Ceramic receptacle for use with screw-in bulb E-Mitters

Part Number: CRK00016



Type CRE & CRR E-Mitters



CRR E-Mitters being loaded into firing furnace.

Ordering Information

Catalog Heaters

For shipment directly from Stock, choose the Ceramic Infrared Radiant Heater from the stock list that fills your requirements.

Optional metamorphing yellow or straight black can be manufactured to order to meet your requirements. A part number will be assigned when an order is placed.

Custom Engineered/Manufactured Heaters

Understanding that an electric heater can be very application specific, for sizes and ratings not listed, **TEMPCO** will design and manufacture a CRE & CRR Bulb Style Ceramic Infrared Heater to meet your requirements. **Standard lead time is 3 weeks.**

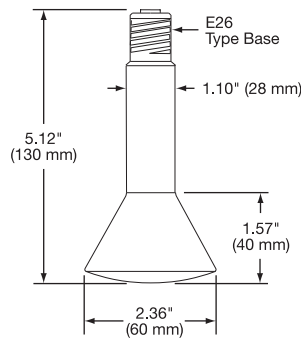
Please Specify the following:

- Size:** Overall dimensions or Series Code
- Colors:** Standard colors are metamorphing rose and white; optional colors are metamorphing yellow and straight black
- Wattage:** Description of process and temperature required

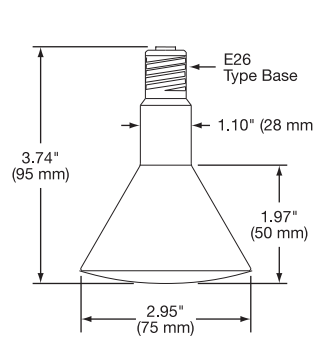
⚠ WARNING: Cancer and Reproductive Harm - www.P65Warnings.ca.gov.



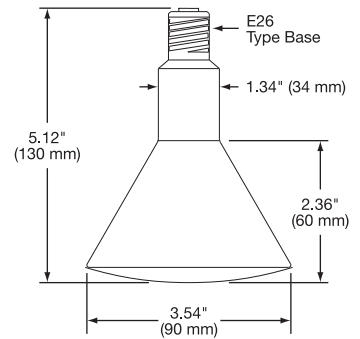
Type CRE Edison Screw-In Bulb E-Mitters



CRE 60 mm



CRE 75 mm

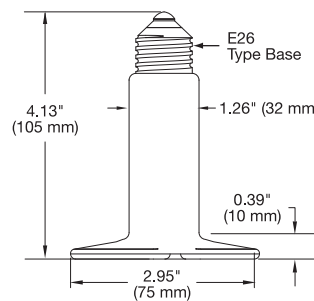


CRE 90 mm

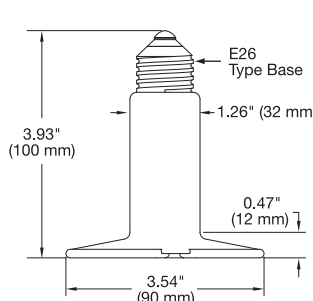
Standard (Non-Stock) CRE E-Mitters

Diameter	Wattage	Voltage	Color	Watt Density		*Surface Temperature (Typical)		Part Number
				(W/in ²)	(W/cm ²)	°F	°C	
60mm	60	120	Rose to Grey	13.26	6.45	842	450	CRE10014
	60	120	White	13.26	6.45	842	450	CRE00014
	100	120	Rose to Grey	22.60	10.76	887	477	CRE10015
	100	120	White	22.60	10.76	887	477	CRE00015
75mm	60	120	Rose to Grey	8.49	1.32	662	350	CRE10012
	60	120	White	8.49	1.32	662	350	CRE00012
	100	120	Rose to Grey	14.15	2.19	788	420	CRE10013
	100	120	White	14.15	2.19	788	420	CRE00013
90mm	150	120	Rose to Grey	15.59	2.41	842	450	CRE10008
	150	120	White	15.59	2.41	842	450	CRE00008
	250	120	Rose to Grey	22.98	4.02	986	530	CRE10002
	250	120	White	22.98	4.02	986	530	CRE00002

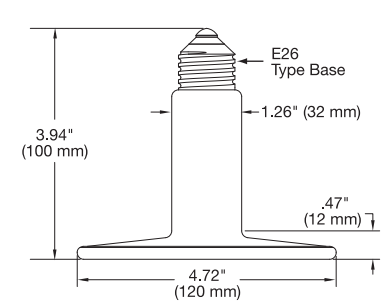
Type CRR Edison Screw-In Bulb E-Mitters



CRR 75 mm



CRR 90 mm



CRR 120 mm

Standard (Non-Stock) CRR E-Mitters (Color – White)

Diameter	Wattage	Watt Density		*Surface Temperature (Typical)		Part Number 120V
		(W/in ²)	(W/cm ²)	°F	°C	
75mm	60	8.77	1.36	640	338	CRR00005
	100	14.62	2.26	710	377	CRR00006
90mm	100	10.16	1.57	655	346	CRR00003
	150	15.24	2.36	760	404	CRR00004
120mm	200	20.32	3.14	950	510	CRR00007
	100	5.71	0.88	400	204	CRR00008
120mm	150	8.57	1.33	485	252	CRR00009
	200	14.29	2.21	670	354	CRR00010

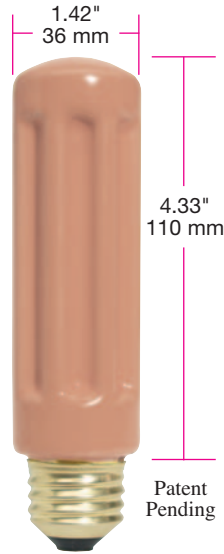
*E-Mitter (operating in 72°F/22°C ambient) face temperature measured with internal thermocouple.

Radiant Process Heaters



Series CRT E-Mitters

Stock CRT E-Mitters



Series CRT – Tube Shaped E-Mitter

Tempco's Edison Screw-In Bulb Series CRT E-Mitter is a hollow, tube-shaped ceramic heater ideally suited for wide area heating. Standard colors are metamorphing rose and straight white; optional are metamorphing yellow and straight black.

Typical Applications

- Preventing moisture accumulation and freezing in electrical control boxes
- Preventing moisture accumulation, mildew and freezing in clothes lockers
- Resistor Banks
- Incubators

Standard (Non-Stock) and Stock CRT E-Mitters (Color – METAMORPHING Rose to Grey)

Stock Items Are Shown In RED

Wattage	*Surface Temperature (Typical)		Part Number	
	°F	°C	120V	240V
50	464	240	CRT10100	—
75	567	297	CRT10101	CRT10106
100	671	355	CRT10102	CRT10107
150	824	440	CRT10103	CRT10108
200	937	503	CRT10104	CRT10109
250	1049	565	CRT10105	CRT10110

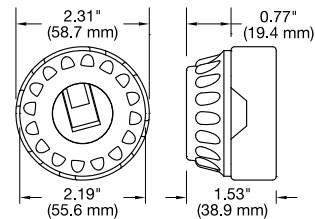
*E-Mitter (operating in 72°F/22°C ambient) surface temperature measured with a thermocouple.



Screw-In Base

Ceramic receptacle for use with screw-in bulb E-Mitters

Part Number: CRK00016



Ordering Information

Standard Heaters

Order by Part Number for Stock heaters.

Custom Engineered/Manufactured Heaters

Understanding that an electric heater can be very application specific, for sizes and ratings not listed, **TEMPCO** can manufacture a CRT E-Mitter to meet your requirements. **Standard lead time is 3 weeks.**

Please Specify the following:

- Colors:** Standard are metamorphing rose and straight white, optional are metamorphing yellow and straight black
- Housing:** NEMA 1 (if required)
- Voltage:** 120 or 240
- Wattage:** 250W maximum

⚠ WARNING: Cancer and Reproductive Harm - www.P65Warnings.ca.gov.