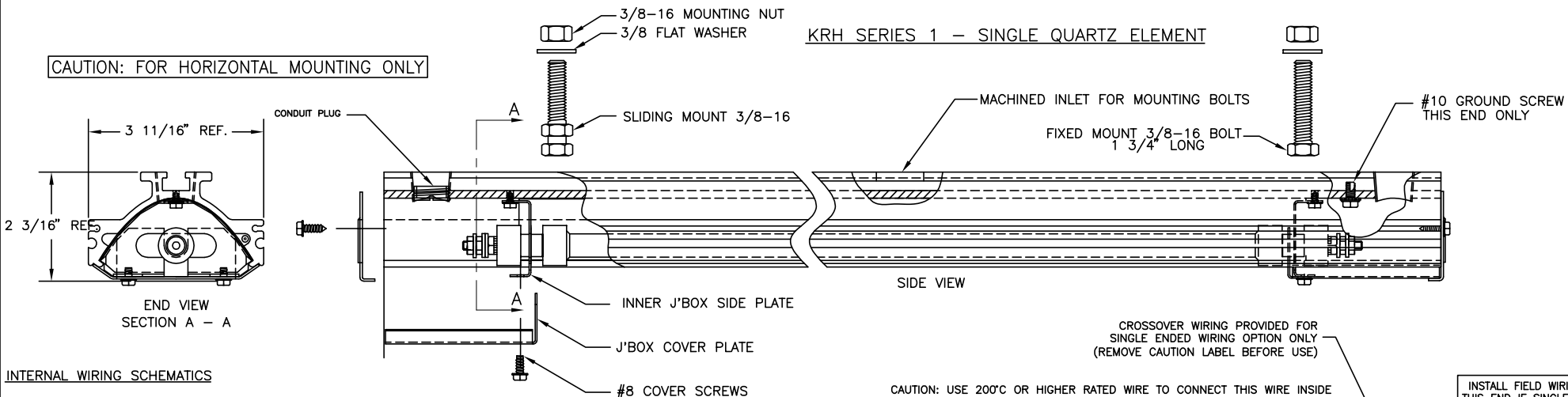
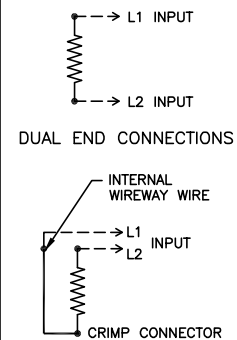


CAUTION: FOR HORIZONTAL MOUNTING ONLY

KRH SERIES 1 - SINGLE QUARTZ ELEMENT



INTERNAL WIRING SCHEMATICS



SINGLE END CONNECTIONS

KRH ASSEMBLY INSTRUCTIONS

- LAY UNIT FACE UP AND TAKE OFF THE JUNCTION BOX COVER PLATES FROM BOTH ENDS. IT MAY BE NECESSARY TO LOOSEN END PLATES. INSTALL ALL LINE WIRING FITTINGS AS REQUIRED FOR INSTALLATION AT THIS TIME.
- INSERT LOCATING GROOVE OF QUARTZ HEATER(S) CAREFULLY ONE AT A TIME INTO SLOTS OF INNER J'BOX PLATES. DO NOT FORCE ELEMENTS INTO POSITION.
- ATTACH CROSSOVER WIRE (IF SINGLE END WIRED) TO ONE END AS SHOWN. ATTACH INPUT POWER WIRING TO OPPOSITE END. (SEE DIAGRAMS)
- REINSTALL J'BOX COVER PLATES AND/OR END PLATES AND COMPLETE INSTALLATION USING MOUNTING BOLTS PROVIDED.

WARNING: HAZARD OF ELECTRIC SHOCK. INSTALLATION MUST BE GROUNDED TO EARTH TO AVOID SHOCK HAZARD. DISCONNECT POWER TO INSTALLATION BEFORE SERVICING OR INSTALLING HEATER.

HIGH TEMPERATURE WIRE AND REPLACEMENT PARTS ARE AVAILABLE FROM TEMPCO. IF ELEMENT IS TO BE REPLACED IT IS RECOMMENDED THAT A NEW REFLECTOR BE ORDERED ALSO. CONTACT FACTORY WITH HEATER P/N, WATTS, AND VOLTAGE REQUIRED WHEN ORDERING REPLACEMENT PARTS.

CLEAN REFLECTOR PERIODICALLY. DO NOT USE STRONG ALKALI CLEANERS ON THE ALUMINUM REFLECTOR AS THEY WILL DULL THE FINISH. A MILD SOAP & WATER SOLUTION IS RECOMMENDED.

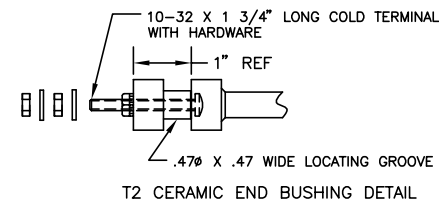
DANGER: HAZARD OF FIRE. THESE HEATERS ARE NOT FOR USE IN ATMOSPHERES WHERE FLAMMABLE OR COMBUSTIBLE VAPORS, DUST, GASES, OR LIQUIDS ARE PRESENT AS DEFINED IN THE NATIONAL ELECTRICAL CODE. WHERE SOLVENTS, WATER, ETC. ARE BEING EVAPORATED FROM THE PROCESS, IT IS NECESSARY TO PROVIDE SUBSTANTIAL QUANTITIES OF VENTILATING AIR TO CARRY AWAY ALL RESULTING VAPORS.

BE SURE ALL ELECTRICAL CONNECTIONS ARE TIGHTLY MADE. HOLD TERMINAL WITH PLIERS WHEN TIGHTING SCREWS. MAKE SURE ALL CONDUCTORS ARE PROPERLY INSULATED AND ROUTED TO ALLOW FOR EXPANSION AND CONTRACTION OF THE UNIT.

CAUTION: DO NOT MOUNT HEATER HOUSING CLOSER THAN 6" TO ANY STRUCTURAL MATERIAL THAT DOES NOT HAVE AT LEAST A 200°C CONTINUOUS TEMPERATURE RATING.

CAUTION: USE 200°C OR HIGHER RATED WIRE TO CONNECT THIS WIRE INSIDE TRH HOUSING OR CONNECT TO FIELD WIRING USING EXTERNAL JUNCTION BOX.

INSTALL FIELD WIRING AT THIS END IF SINGLE ENDED WIRING OPTION IS USED



"WARNING:"

DO NOT USE COPPER WIRE TO MAKE CONNECTIONS INSIDE THIS HEATER. HIGH TEMPERATURES WILL OXIDIZE COPPER. USE OF NICKEL PLATED OR NICKEL CLAD INSULATED COPPER WIRE IS RECOMMENDED. WIRE INSULATION RATING MUST BE SUITABLE FOR THE AMBIENT TEMPERATURE OF THE WIRING INSTALLATION. AMPACITY & VOLTAGE RATINGS SHOULD BE IN ACCORDANCE WITH NEC/NFPA (NATIONAL ELECTRICAL CODE) & ALL OTHER LOCAL REGULATIONS.

TITLE:			
KRH UNIVERSAL 2000 RADIANT HEATER INSTALLATION, WIRING, & PARTS ASSEMBLY NEMA 1 HOUSING - SERIES 1			
DRAWN BY:	APPROVED:	REV:	DATE:
JWG	GDS	3	10/20/11
DRAWING NUMBER:		IDP-129-104	

TEMPCO
www.tempeco.com
TEMPCO Electric Heater Corporation
607 N. Central Ave.
Wood Dale, IL 60191-1452 U.S.A.
Email: info@tempeco.com