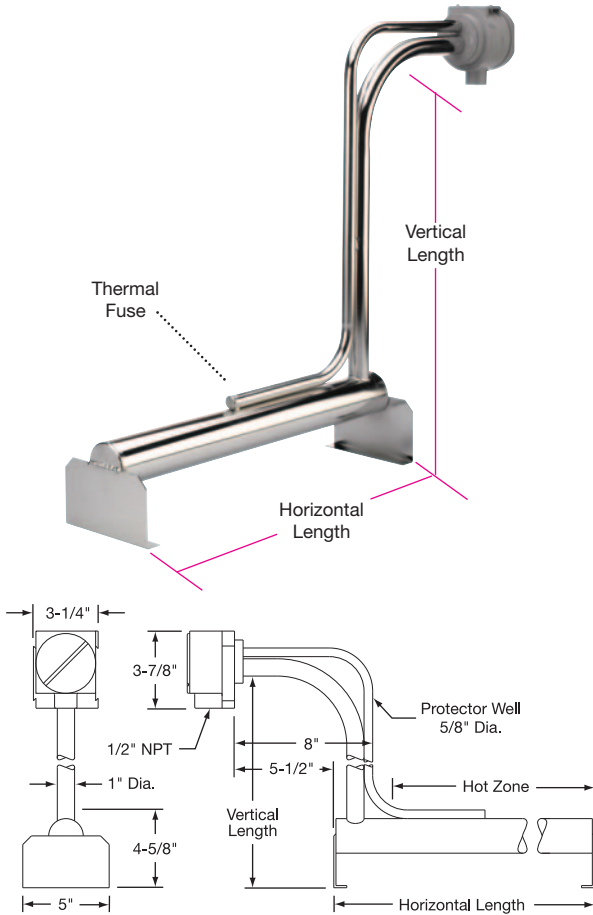




Tank Immersion Heaters

Metal Single-Tube L-Shaped Heater



Typical Applications

For plating tanks, rinse tanks and other non-sludging aqueous solutions. Check compatibility guide on pages 11-88 and 11-89 and with chemical supplier for proper sheath material selection.

Design Features

- * 35 watts/in² (5.5 watts/cm²) for long service life
- * Bottom mount design for even heating and varying solution levels
- * Standard 2" sludge legs (longer available)
- * Heavy duty, long lasting construction
- * T1 thermal fuse protection standard; T2 bi-metal switch optional
- * Grounded for safety
- * UL listed except Plain Steel; for US and Canada
- * Vapor-tight polypropylene terminal enclosure
- * Standard 3-ft. flexible PVC liquid-tight conduit
- * Single-Phase standard; three-phase available as an option
- * 120, 240, 480 volts standard as listed — other voltages available
- * Longer and shorter vertical lengths available; consult Tempco

Standard Watts vs. Length

Watts	H. Length		V. Length	
	in	mm	in	mm
1000	13	330	15	381
2000	17	432	19	483
3000	22	559	25	635
4000	26	660	25	635
5000	31	787	37	940
6000	36	914	50	1270
8000	44	1118	50	1270
9000	50	1270	50	1270
10000	55	1397	50	1270
12000	64	1626	50	1270

Standard lead time is 2 to 3 weeks.

Ordering Code: T M M 3

Type: TMM3

Vertical Length (in.)

Hot Zone (in.) Horizontal

Watts ÷ 100

Phase: 1 or 3

Material
A – Steel
B – 304 SS
C – 316 SS
T – Titanium

Voltage
 1 – 120
 2 – 240
 4 – 480

Thermal Over-Temperature Protection

Thermal Fuse

- 1L – Solutions up to 180°F
- 1M – Solutions from 180°F to 220°F
- 1H – Solutions from 220°F to 300°F

Bi-Metal Switch

- 2L – Solutions up to 180°F
- 2M – Solutions from 180°F to 220°F
- 2H – Solutions from 220°F to 300°F

Conduit Length (in.)
 36" standard

Ordering Information

TMM3 heaters are offered with the options listed in this worksheet. Create an ordering code by filling in the blanks with the appropriate number and/or letter designation for your requirements, and a part number will be assigned.

WARNING: Cancer and Reproductive Harm - www.P65Warnings.ca.gov.