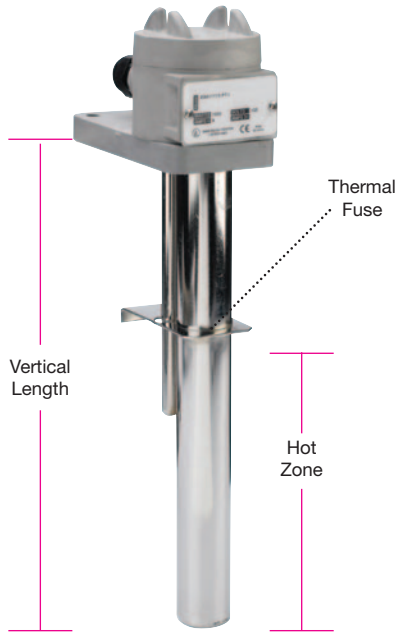




Tank Immersion Heaters

Metal Single-Tube Style Heater

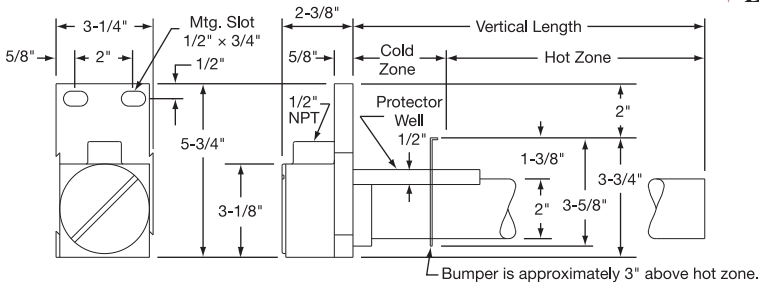


Typical Applications

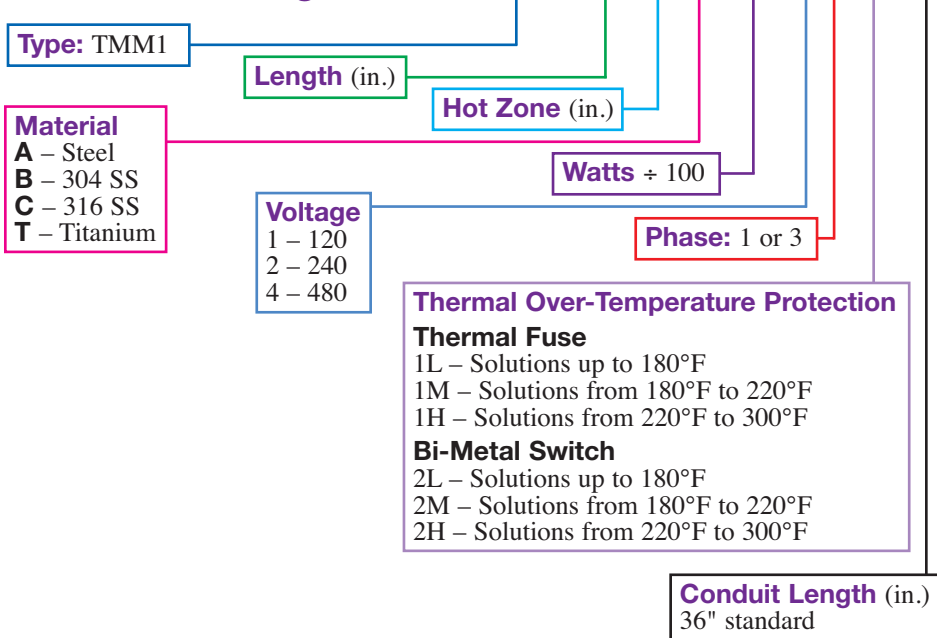
For plating tanks, rinse tanks and other acidic aqueous solutions. Check compatibility guide on pages 11-88 and 11-89 and with chemical supplier for proper sheath material selection.

Design Features

- * 18 and 35 watts/in² (2.8 and 5.5 watts/cm²) for long service life
- * Heavy duty, long lasting construction
- * T1 thermal fuse protection standard; T2 bi-metal switch optional
- * Grounded for safety
- * UL listed except plain steel; for US and Canada
- * Vapor-tight polypropylene terminal enclosure with universal mounting bracket
- * Standard 3-ft. flexible PVC liquid-tight conduit
- * Single-Phase standard; three-phase available as an option
- * 120, 240, 480 volts standard as listed — other voltages available
- * Longer lengths available; consult Tempco



Ordering Code: T M M 1



Standard Watts vs. Length and Hot Zone

Watts		Hot Zone		Length	
High	Low	in	mm	in	mm
1000	500	6	152	11	254
2000	1000	10	254	17	432
3000	1500	16	406	23	584
4000	2000	20	508	29	737
5000	2500	25	635	35	889
6000	3000	30	762	40	1016
8000	4000	37	940	47	1194
9000	4500	44	1118	54	1372
10000	5000	49	1245	59	1499
12000	6000	58	1473	68	1727

Standard lead time is 2 to 3 weeks.

Ordering Information

TMM1 heaters are offered with the options listed in this worksheet. Create an ordering code by filling in the blanks with the appropriate number and/or letter designation for your requirements, and a part number will be assigned.

⚠ WARNING: Cancer and Reproductive Harm - www.P65Warnings.ca.gov.