



Temperature Displays

Loop Powered (4-20mA) LCD Temperature/Process Indicator in Standard and Heavy Duty Connection Heads

The EMT1 & EMT2 are digital indicators for installation directly in a 4-20mA signal loop without the requirement of external power.

It is provided in a sensor connection head, ready for attachment to a thermowell or industrial sensor assembly.

The indicator is equipped with high contrast easy-to-read LCD digits.

Scaling the display is easily accomplished, without a reference signal, by three push buttons for any values between -1999 and 9999.



Shown with TC Assembly
(not included)

EMT10001



EMT20001

Design Features:

- * Installation directly in a 4-20mA signal loop without the need for an external power supply.
- * Works in conjunction with an ETM In-Head transmitter, sold separately
- * Minimal voltage drop
- * High contrast, 4-digit LCD display
- * Simple push-button scaling without a reference signal
- * Any range between -1999 and 9999 for the 4-20mA input
- * Labels for different engineering units are included
- * Typical accuracy of $\pm 0.1\%$ allows for high precision readouts.
- * HART transparent
- * NEMA 4X / IP65 / IP66 protection for display housings

Specifications

	ETM1	ETM2
Input current	4 - 20 mA	
Operating range	3.8 - 22 mA	3.5 - 30 mA
Voltage drop	2.5 Vdc	1.5 Vdc
Indication	Black LCD with 4 digits include minus sign	
Display	Black LCD with 4 digits include minus sign	
Digit height	12 mm	12.7 mm
Decimals	Selectable, 0 to 3	
Engineering units	Set of labels included	
Response time	Approx. 0.5 sec.	0.25 to 2 sec.
Scale setting	3 push buttons	
Operating Temperature	ETM1: -4 to +158°F / -20 to +70°C ETM2: -13 to +158°F / -25 to +70°C	
Typical Accuracy	$\pm 0.1\%$	0.05%
Protection	NEMA 4X / IP 65	NEMA 4X / IP 66 FM/CSA Class 1, Div 1 & 2
Wire Connection	16 ga. or smaller	
Mounting	Process: 1/2"-14 NPT Conduit: 3/4"-14 NPT	3/4"-14 NPT x 3

Ordering Information

Order by the Part Number EMT10001 or EMT20001.

Standard lead time is stock to 2 weeks.



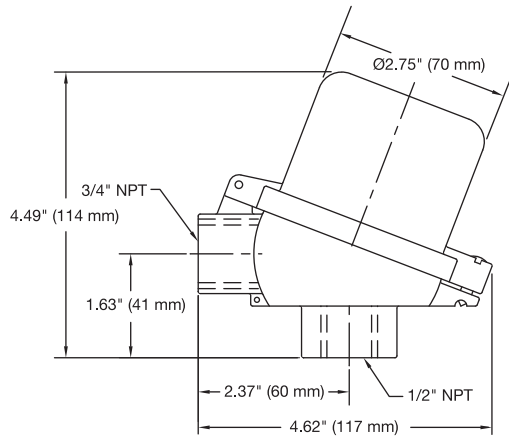
Note:

The in-head temperature transmitters are sold separately; see page 12-44.

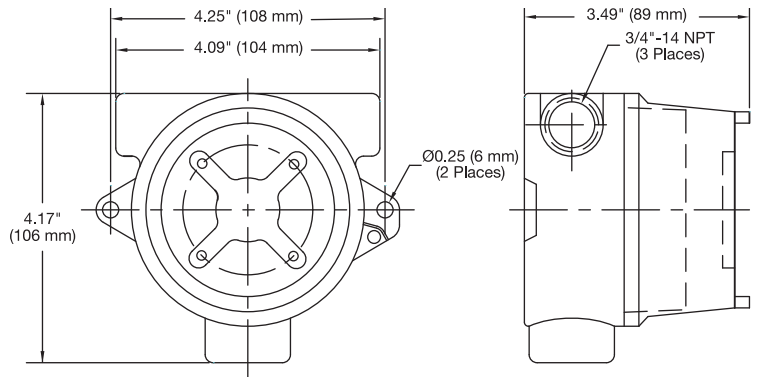
WARNING: Cancer and Reproductive Harm - www.P65Warnings.ca.gov.



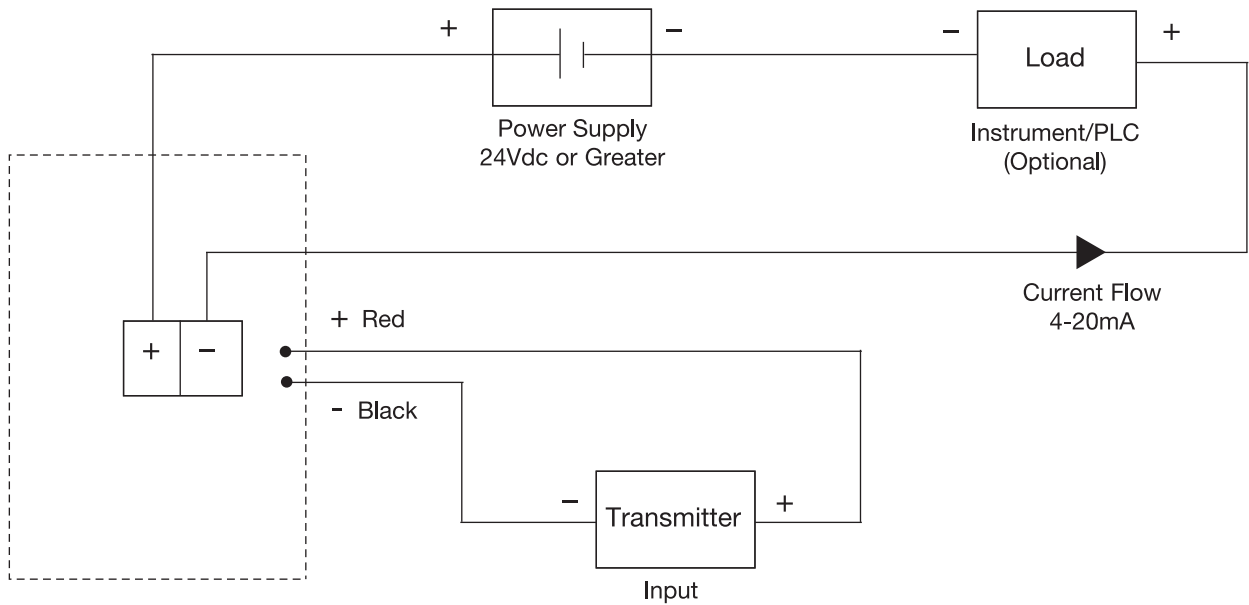
EMT10001



EMT20001



EMT10001 & EMT20001 Wiring with Internal Transmitter



EMT10001 & EMT20001 Wiring with External Transmitter

