

Power Input

100 - 130 VAC, 50/60 Hz, 5VA
200 - 240 VAC, 50/60 Hz, 5VA

Signal Input

Thermocouple: Type J or K
RTD: 3-wire Pt100 DIN or JIS
Sampling Rate: 3 samples per second
Accuracy: $\pm 2\%$ of span
Cold Junction Compensation: $\pm 0.1^\circ\text{C} / 1^\circ\text{C}$
Common Mode Rejection Ratio (CMRR): 120 dB
Normal Mode Rejection Ratio (NMRR): 60 dB
Sensor Break Protection: Upscale

Output 1

Relay Rating: 5 Amp, 240 VAC
SSR drive: Pulsed DC, 20 V at 20 mA maximum
Current Loop: 4 - 20 mA, 0 - 20 mA, maximum load: 500 Ω
Voltage: 0 - 10 VDC, minimum load 500 K Ω

Control

Proportional Band: 2.2% of span
ON-OFF Hysteresis: 1% of span
Cycle time: 20 seconds for relay output, 1 second for pulsed voltage output, 0.02 second for linear current or voltage output
Control Action: Reverse Action

Approval Standards

Safety Standard: EN61326
Protective Class: Front panel: IP 30
Housing and Terminals: IP 20

Adjustment

Setpoint: Single turn wirewound potentiometer
Setpoint Resolution: 0.2% of span
Accuracy of Setpoint: $\pm 2\%$ of span
Repeatability of Setpoint: $\pm 0.1\%$ of span

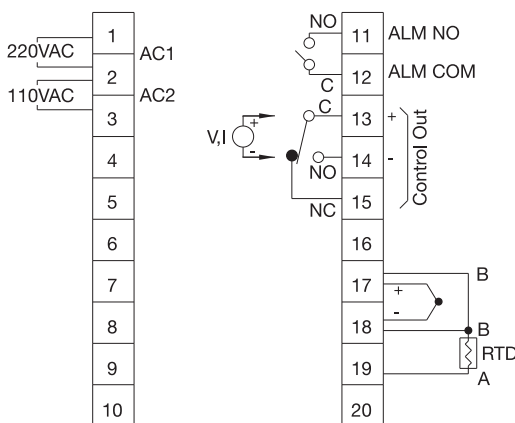
Display

Deviation meter: $\pm 10\%$ of scale (TEC-402)
Non-Indicating (TEC-401)

Environmental and Physical

Operating Temperature: 32 to 122°F (0 to 50°C)
Humidity: 0 to 90% RH, non-condensing
Dielectric Strength: 2000 VAC, 50/60 Hz for 1 minute
Vibration: 10 - 55 Hz, amplitude 1 mm
Shock: 200 m/s² (20g)
Dimensions: 3-3/4 x 3-3/4 x 2-9/16" (96 x 96 x 65 mm) HxWxD
Depth behind panel: 2" (53 mm)
Panel Cutout: 3-5/8" x 3-5/8" (92 x 92 mm) HxW
Weight: 0.79 lb. (360 grams)

Rear Terminal Connections



(For TEC-401 Pins 11 and 12 are not used)

With Deviation Meter TEC-402 Stock and Common Part Numbers (Proportional mode)

Part Number	Signal Input	Range	Output	Alarm
TEC57201	J tc	50-850°F	relay	none
TEC57202	J tc	50-550°F	relay	none
TEC57203	K tc	50-850°F	relay	none
TEC57204	K tc	50-550°F	relay	relay
TEC57205	RTD	50-550°F	relay	none
TEC57206	J tc	0-300°C	relay	none
TEC57207	J tc	0-600°C	relay	none
TEC57208	K tc	0-300°C	relay	none
TEC57209	K tc	0-600°C	relay	none

Non-Indicating TEC-401 Stock and Common Part Numbers (Proportional mode)

Part Number	Signal Input	Range	Output
TEC57101	J tc	50-850°F	relay
TEC57102	J tc	50-550°F	relay
TEC57103	K tc	50-850°F	relay
TEC57104	K tc	50-550°F	relay
TEC57105	RTD	50-550°F	relay
TEC57106	J tc	0-300°C	relay
TEC57107	J tc	0-600°C	relay
TEC57108	K tc	0-300°C	relay
TEC57109	K tc	0-600°C	relay