



Power Input

Standard: 90 - 264 VAC, 50/60 Hz, 5VA
Optional: 20 - 32 VAC 50/60 Hz, 20 - 32 VDC, 5VA

Signal Input

Accuracy: $\pm 1.0\%$ of full scale at 77°F/25°C
Thermocouple: Type J or K
RTD: 3-wire Pt100 DIN or JIS
Sampling Rate: 3 samples per second
Cold Junction Compensation: $\pm 0.1^\circ\text{C} / 1^\circ\text{C}$
Common Mode Rejection Ratio (CMRR): 120 dB
Normal Mode Rejection Ratio (NMRR): 60 dB
Sensor Break Protection: Upscale

Output 1

Relay Rating: 5 Amp, 240 VAC
SSR drive: Pulsed DC, 20 V at 20 mA maximum
Current Loop: 4 - 20 mA, 0 - 20 mA, maximum load: 500Ω
Voltage: 0 - 10 VDC, minimum load 500 KΩ

Control

Proportional Band: 2.2% of span
ON-OFF Hysteresis: 1% of span
Cycle time: 20 seconds for relay output, 1 second for pulsed voltage output, 0.02 second for linear current or voltage output
Control Action: Reverse Action

Approval Standards

Safety Standard: UL3121-1
 EN61326
Protective Class: Front panel: IP 30
 Housing and Terminals: IP 20

Adjustment

Setpoint: Single turn wirewound potentiometer (TEC-404)
Setpoint Resolution: 0.2% of span
Accuracy of Setpoint: $\pm 2\%$ of span
Repeatability of Setpoint: $\pm 0.1\%$ of span
Setpoint: 3-digit or 4-digit pushwheel switch (TEC-405)
Manual Reset: Adjustable up to 2.6% of span
Setpoint Resolution: ± 1 Least Significant Digit
Accuracy of Setpoint: $\pm 1\%$ of span
Repeatability of Setpoint: ± 1 Least Significant Digit

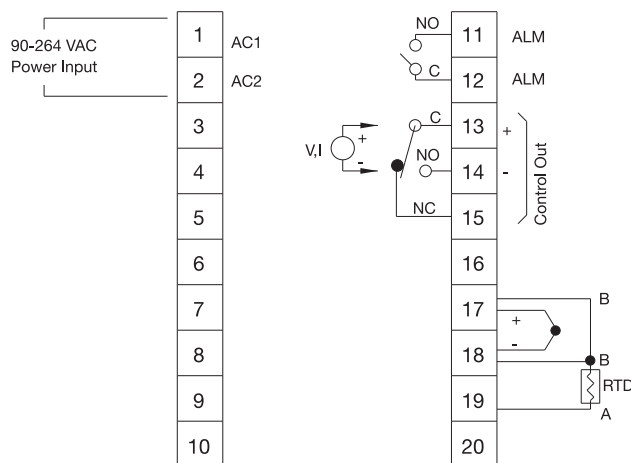
Display

Single 4-digit LED Display: 0.56" (14 mm) Red

Environmental and Physical

Operating Temperature: 32 to 122°F (0 to 50°C)
Humidity: 0 to 90% RH, non-condensing
Dielectric Strength: 2000 VAC, 50/60 Hz for 1 minute
Vibration: 10 - 55 Hz, amplitude 1 mm
Shock: 200 m/s² (20g)
Dimensions: 3-3/4 × 3-3/4 × 2-9/16" (96 × 96 × 65 mm) H×W×D
 Depth behind panel: 2" (53 mm)
Panel Cutout: 3-5/8" × 3-5/8" (92 × 92 mm) H×W
Weight: 0.55 lb. (250 grams)

Rear Terminal Connections



Potentiometer Setpoint TEC-404 Stock and Common Part Numbers (Power Input: 90-264 VAC, Proportional Mode)

| Part Number | Signal Input | Range | Output | Alarm |
|-------------|--------------|----------|--------|-------|
| TEC57401 | J tc | 50-850°F | relay | none |
| TEC57402 | J tc | 50-550°F | relay | none |
| TEC57403 | K tc | 50-850°F | relay | none |
| TEC57404 | K tc | 50-550°F | relay | relay |
| TEC57405 | RTD | 50-550°F | relay | none |
| TEC57406 | J tc | 0-300°C | relay | none |
| TEC57407 | J tc | 0-600°C | relay | none |
| TEC57408 | K tc | 0-300°C | relay | none |
| TEC57409 | K tc | 0-600°C | relay | none |

Pushwheel Setpoint TEC-405 Stock and Common Part Numbers (Power Input: 90-264 VAC, Proportional Mode)

| Part Number | Signal Input | Range | Output | Alarm |
|-------------|--------------|----------|--------|-------|
| TEC57511 | J tc | 0-999°F | relay | none |
| TEC57512 | J tc | 0-499°F | relay | none |
| TEC57513 | K tc | 0-1999°F | relay | none |
| TEC57514 | K tc | 0-999°F | relay | none |
| TEC57515 | J tc | 0-499°C | relay | none |
| TEC57516 | J tc | 0-299°C | relay | none |
| TEC57517 | K tc | 0-999°C | relay | none |
| TEC57518 | K tc | 0-499°C | relay | none |
| TEC57519 | RTD | 0-999°F | relay | none |
| TEC57520 | RTD | 0-499°C | relay | none |