



Output 5 BOX 7

- 0** = None
- 3** = Retransmission 4-20mA / 0-20 mA
- 4** = Retransmission 1-5V / 0-5V/0-10V
- 7** = Isolated 20V @ 25 mA DC, Output Power Supply
- 8** = Isolated 12V @ 40 mA DC, Output Power Supply
- A** = Isolated 5V @ 80 mA DC, Output Power Supply
- D** = Isolated RS-485 interface
- E** = Isolated RS-232 interface

Power Input

Standard: 90-250 VAC, 47-63 Hz, 12 VA, 5W maximum
Optional: 11-26 VAC / VDC, 12 VA, 5W maximum

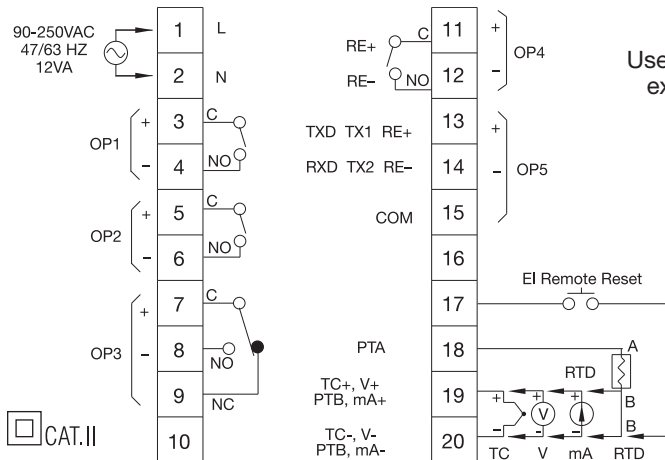
Signal Input

Resolution: 18 bits **Sampling Rate:** 5 samples / second
Accuracy: ±.24% of span typical
Maximum Rating: -2 VDC minimum, 12 VDC maximum (1 minute for mA input)
Temperature Effect: ±1.5 μV / °C for all inputs except mA input ±3.0 μV / °C for mA input
Sensor Lead Resistance Effect: T/C: 0.2μV/ohm
 3-wire RTD: 2.6°C/ohm of resistance difference of two leads
Burn-out Current: 200nA
Common Mode Rejection Ratio (CMRR): 120 dB
Normal Mode Rejection Ratio (NMRR): 55 dB
Sensor Break Detection: Sensor open for TC, RTD and mV inputs; sensor short for RTD input; below 1 mA for 4-20 mA input; below 0.25V for 1-5V input; unavailable for other inputs
Sensor Break Response Time: Within 4 seconds for TC, RTD and mV inputs; 0.1 second for 4-20 mA and 1-5 V inputs

TEC-4500 Stock and Common Part Numbers (Power Input: 90-250 VAC)

Part Number	Signal Input	Out 1	Out 2	Out 3
TEC58001	TC	relay	none	relay
TEC58002	TC	relay	relay	none
TEC58003	TC	relay	relay	relay
TEC58004	TC	4-20 mA	none	none
TEC58005	TC	4-20 mA	none	relay
TEC58006	TC	5VDC pulse	none	none
TEC58007	TC	5VDC pulse	none	relay

TEC-4500 1/4 DIN Rear Terminal Connections



Case Options BOX 8

- 0** = Panel mount standard
- 1** = Panel mount with NEMA 4X/IP65 front panel
- 2** = DIN rail mount adapter (TEC-9500 only)

Recipe

Number of recipes: 9
Number of Segments per recipe:
 Recipe 1, 2, 3, 4: 16
 Recipe 5, 6, 7: 32
 Recipe 8, 9: 64

Event Outputs: 3

Environmental and Physical

Operating Temperature: 14 to 122°F (-10 to 50°C)
Storage Temperature: -40 to 140°F (-40 to 60°C)
Humidity: 0 to 90% RH, non-condensing
Dielectric Strength: 2000 VAC, 50/60 Hz for 1 minute

Dimensions:

TEC-4500: 3-3/4 × 3-3/4 × 2-9/16" (96 × 96 × 65 mm) H×W×D
Depth behind panel: 2" (53 mm)
Panel Cutout: 3-5/8" × 3-5/8" (92 × 92 mm) H×W
Weight: .55 lb. (250 grams)
TEC-9500: 1-7/8 × 1-7/8 × 4-9/16" (48 × 48 × 116 mm) H×W×D
Depth behind panel: 4-1/8" (104.8 mm)
Panel Cutout: 1-25/32" × 1-25/32" (45 × 45 mm) H×W
Weight: .33 lb. (150 grams)

Approval Standards

Safety: UL61010C-1
 CSA: C22.2 No. 24-93
 EN61010-1 (IEC1010-1)
Protective Class: IP30 front panel, indoor use,
 IP65 front panel with option
EMC: EN61326

TEC-9500 Stock and Common Part Numbers (Power Input: 90-250 VAC)

Part Number	Signal Input	Out 1	Out 2	Out 3
TEC18001	TC	relay	none	none
TEC18002	TC	relay	relay	none
TEC18003	TC	4-20 mA	none	none
TEC18004	TC	4-20 mA	relay	none
TEC18005	TC	5VDC pulse	none	none
TEC18006	TC	5VDC pulse	relay	none

TEC-9500 1/16 DIN Rear Terminal Connections

