



Power Input

Standard: 90 - 264 VAC, 50/60 Hz, 5VA

Signal Input

Accuracy: $\pm 1.0\%$ of full scale at 77°F/25°C

Thermocouple: Type J or K

RTD: 3-wire Pt100 DIN or JIS

Sampling Rate: 3 samples per second

Cold Junction Compensation: $\pm 0.1^\circ\text{C} / 1^\circ\text{C}$

Common Mode Rejection Ratio (CMRR): 120 dB

Normal Mode Rejection Ratio (NMRR): 60 dB

Sensor Break Protection: Upscale

Output

Relay Rating: 240 VAC, 5 Amp

SSR drive: Pulsed DC, 20 V at 20 mA maximum

Current: 4 - 20 mA, 0 - 20 mA, maximum load: 500Ω

Voltage: 0 - 10 VDC, minimum load 500KΩ

Control

Proportional Band: 2.2% of span

ON-OFF Hysteresis: 1% of span

Cycle time: 20 seconds for relay output, 1 second for pulsed voltage output, 0.02 second for linear current or voltage output

Control Action: Reverse Action

Approval Standards

Safety Standard: UL3121-1

Protective Class: Front panel: IP 30

Housing and Terminals: IP 20

EMC: EN61326

Adjustment

Setpoint: 3-digit or 4-digit pushwheel switch

Manual Reset: Adjustable up to 2.6% of span

Setpoint Resolution: ± 1 Least Significant Digit

Accuracy of Setpoint: $\pm 1\%$ of span

Repeatability of Setpoint: ± 1 Least Significant Digit

Alarm

Type: Deviation $\pm 10\%$ of span **Relay:** 2A / 240 VAC

Display

Process Indicator: 3-1/2 digit, 0.4" / 10 mm red LED display

Output Status Indicator: Red LED lamp

Alarm Status Indicator: Red LED lamp

Environmental and Physical

Operating Temperature: 32 to 122°F (0 to 50°C)

Humidity: 0 to 90% RH, non-condensing

Dielectric Strength: 2000 VAC, 50/60 Hz for 1 minute

Vibration: 10 - 55 Hz, amplitude 1 mm

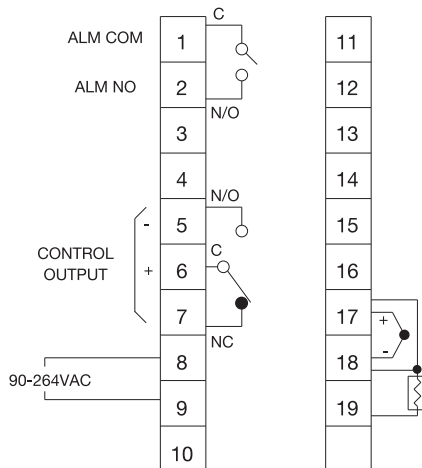
Shock: 200 m/s² (20g)

Dimensions: 3-3/4 × 1-7/8 × 3-1/8" (96 × 48 × 80 mm) H×W×D
Depth behind panel: 2-9/16" (65 mm)

Panel Cutout: 3-5/8" × 1-25/32" (92 × 45 mm) H×W

Weight: 0.42 lb. (190 grams)

Rear Terminal Connections



Stock and Common Part Numbers (Power Input: 90-264 VAC, Proportional Mode)

| Part Number | Signal Input | Range | Output | Alarm |
|-------------|--------------|----------|--------|-------|
| TEC35521 | J tc | 0-999°F | relay | none |
| TEC35522 | J tc | 0-499°F | relay | none |
| TEC35523 | K tc | 0-1999°F | relay | none |
| TEC35524 | K tc | 0-999°F | relay | none |
| TEC35525 | J tc | 0-499°C | relay | none |
| TEC35526 | J tc | 0-299°C | relay | none |
| TEC35527 | K tc | 0-999°C | relay | none |
| TEC35528 | K tc | 0-499°C | relay | none |
| TEC35529 | RTD | 0-999°F | relay | none |
| TEC35530 | RTD | 0-499°C | relay | none |