

### 10" Long Bezel Jack Panel for Standard Thermocouple Connectors



#### Design Features:

- \* Accepts standard plugs.
- \* Jacks are ANSI color coded, glass-filled nylon with a temperature rating of 350°F (177°C) continuous and 400°F (204°C) intermittent.
- \* Panels are manufactured from rugged, .090" thick aluminum.
- \* Brushed and anodized finishes are available at an additional cost. Consult TEMPCO with your requirements.
- \* Panels are normally supplied unassembled with all necessary hardware to assemble and install included. Can be furnished assembled at an additional cost.

#### Standard Sizes

Part Number	Number of Rows	Panel Height H x L (in)	Number of Jacks	Cutout Size H x L (in)
JP(⊕)00001	1	3½ x 10	12	1⅞ x 9¼
JP(⊕)00002	2	5⅜ x 10	24	3⅜ x 9¼
JP(⊕)00003	3	8⅞ x 10	36	6½ x 9¼
JP(⊕)00004	4	9⅞ x 10	48	8¼ x 9¼
JP(⊕)00005	5	12¾ x 10	60	11⅞ x 9¼
JP(⊕)00006	6	14⅞ x 10	72	12⅞ x 9¼

⊕ Insert calibration code (J, K, T, E, R, S, U) in Part Number, "U" is designated for RTDs and type B thermocouples

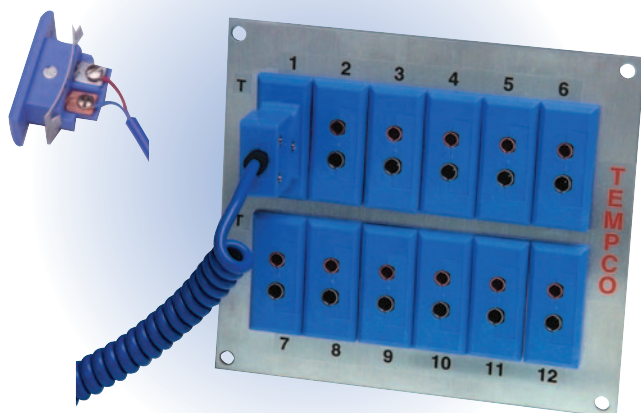


**Notes:** Mounting Hole Spacing: 3/16" in from each side to center of 13/64" hole (for #10 screw)

Bezel Panel Jacks are retained by a spring clip, which is installed from the rear of the panel.

Wire may be attached after jacks are installed in panel.

### 5-1/2" Long Bezel Jack Panel for Standard Thermocouple Connectors



#### Standard Sizes

Part Number	Number of Rows	Panel Height H x L (in)	Number of Jacks	Cutout Size H x L (in)
JP(⊕)00007	1	3½ x 5½	6	1⅞ x 4 <sup>21</sup> / <sub>32</sub>
JP(⊕)00008	2	5⅜ x 5½	12	3⅜ x 4 <sup>21</sup> / <sub>32</sub>
JP(⊕)00009	3	8⅞ x 5½	18	6½ x 4 <sup>21</sup> / <sub>32</sub>
JP(⊕)00010	4	9⅞ x 5½	24	8¼ x 4 <sup>21</sup> / <sub>32</sub>
JP(⊕)00011	5	12¾ x 5½	30	11⅞ x 4 <sup>21</sup> / <sub>32</sub>
JP(⊕)00012	6	14⅞ x 5½	36	12⅞ x 4 <sup>21</sup> / <sub>32</sub>

⊕ Insert calibration code (J, K, T, E, R, S, U) in Part Number, "U" is designated for RTDs and type B thermocouples

## Jack Panels

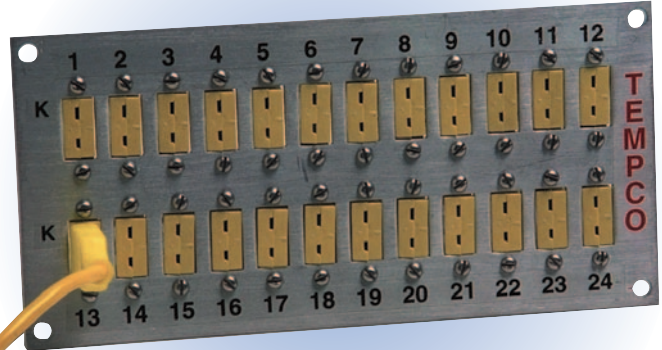
### Jack Panels for Miniature Thermocouple Connectors

#### Design Features:

- \* Designed to be space saving.
- \* Complements modern miniature instrumentation.
- \* Jack bodies are ANSI color coded, glass-filled nylon with a temperature rating of 350°F (177°C) continuous and 400°F (204°C) intermittent.
- \* Panels are manufactured of rugged .090" thick aluminum.
- \* Brushed and anodized finishes are available at an additional cost. Consult TEMPCO with your requirements.
- \* Panels are supplied unassembled for ease of wiring—all hardware necessary to assemble is included.

#### Standard Sizes

Part Number	Number of Rows	Panel Height H x L (in)	Number of Jacks	Cutout Size H x L (in)
JP(+)00013	1	2 <sup>21</sup> / <sub>32</sub> x 3 <sup>5</sup> / <sub>8</sub>	6	1 <sup>9</sup> / <sub>32</sub> x 3 <sup>3</sup> / <sub>32</sub>
JP(+)00014	2	4 <sup>3</sup> / <sub>16</sub> x 3 <sup>5</sup> / <sub>8</sub>	12	2 <sup>15</sup> / <sub>16</sub> x 3 <sup>3</sup> / <sub>32</sub>
JP(+)00015	3	5 <sup>31</sup> / <sub>32</sub> x 3 <sup>5</sup> / <sub>8</sub>	18	4 <sup>19</sup> / <sub>32</sub> x 3 <sup>3</sup> / <sub>32</sub>
JP(+)00016	4	7 <sup>7</sup> / <sub>8</sub> x 3 <sup>5</sup> / <sub>8</sub>	24	6 <sup>1</sup> / <sub>4</sub> x 3 <sup>3</sup> / <sub>32</sub>
JP(+)00017	1	2 <sup>21</sup> / <sub>32</sub> x 6 <sup>5</sup> / <sub>8</sub>	12	1 <sup>9</sup> / <sub>32</sub> x 6 <sup>1</sup> / <sub>16</sub>
JP(+)00018	2	4 <sup>3</sup> / <sub>16</sub> x 6 <sup>5</sup> / <sub>8</sub>	24	2 <sup>15</sup> / <sub>16</sub> x 6 <sup>1</sup> / <sub>16</sub>
JP(+)00019	3	5 <sup>31</sup> / <sub>32</sub> x 6 <sup>5</sup> / <sub>8</sub>	36	4 <sup>19</sup> / <sub>32</sub> x 6 <sup>1</sup> / <sub>16</sub>
JP(+)00020	4	7 <sup>7</sup> / <sub>8</sub> x 6 <sup>5</sup> / <sub>8</sub>	48	6 <sup>1</sup> / <sub>4</sub> x 6 <sup>1</sup> / <sub>16</sub>



**Note:** Mounting Hole Spacing: 3/16" in from each side to center of 13/64" hole (for #10 screw)

- ✦ Insert calibration code (J, K, T, E, R, S, U) in Part Number, "U" is designated for RTDs and type B thermocouples

#### Ordering Information

##### Catalog Jack Panels

Order by Part Number

##### Custom Engineered/Manufactured Jack Panels

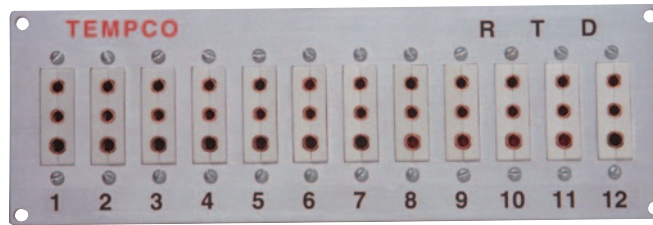
For sizes and styles not listed, TEMPCO will design and manufacture a Jack Panel to meet your specifications. **Standard lead time is 2 weeks.**

**Please Specify** the following:

- Overall Dimensions
- Type of Jack (Standard or Miniature)
- Number of Jacks (Circuits)
- Number of Rows
- Calibration

**⚠ WARNING:** Cancer and Reproductive Harm - [www.P65Warnings.ca.gov](http://www.P65Warnings.ca.gov).

### Jack Panels for Standard 3-pin Connectors



#### Standard Sizes

Part Number	Number of Rows	Panel Height H x L (in)	Number of Jacks	Cutout Size H x L (in)
JP(✚)00021	1	3½ x 5¼	6	2¾ x 4½ <sub>32</sub>
JP(✚)00022	2	6½ x 5¼	12	4¾ x 4½ <sub>32</sub>
JP(✚)00023	3	8½ x 5¼	18	7¾ x 4½ <sub>32</sub>
JP(✚)00024	4	11½ x 5¼	24	9¾ x 4½ <sub>32</sub>
JP(✚)00025	1	3½ x 9¾	12	2¾ x 8¾ <sub>32</sub>
JP(✚)00026	2	6½ x 9¾	24	4¾ x 8¾ <sub>32</sub>
JP(✚)00027	3	8½ x 9¾	36	7¾ x 8¾ <sub>32</sub>
JP(✚)00028	4	11½ x 9¾	48	9¾ x 8¾ <sub>32</sub>

✚ Insert calibration code (J, K, T, E, R, S, U) in Part Number, "U" is designated for RTDs and type B thermocouples.

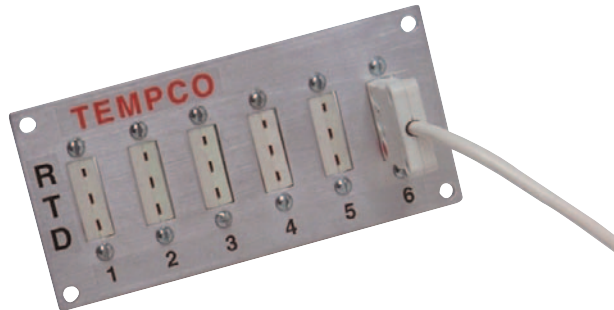
#### Design Features:

- \* For use with RTDs and shielded thermocouples requiring 3 wires.
- \* Will accept standard 3-Pin connectors.
- \* Jack bodies are ANSI color coded, glass-filled nylon with a temperature rating of 350°F (177°C) continuous and 400°F (204°C) intermittent.
- \* Panels are manufactured of rugged .090" thick aluminum.
- \* Brushed and anodized finishes are available at an additional cost. Consult TEMPCO with your requirements.
- \* Panels are supplied unassembled for ease of wiring — all hardware necessary to assemble is included.



**Note:** Mounting Hole Spacing: 3/16" in from each side to center of 13/64" hole (for #10 screw)

### Jack Panels for Miniature 3-Pin Connectors



#### Standard Sizes

Part Number	Number of Rows	Panel Height H x L (in)	Number of Jacks	Cutout Size H x L (in)
JP(✚)00029	1	2½ <sub>16</sub> x 4¾	6	1¾ <sub>16</sub> x 4¾ <sub>32</sub>
JP(✚)00030	2	4½ <sub>16</sub> x 4¾	12	3¾ <sub>16</sub> x 4¾ <sub>32</sub>
JP(✚)00031	3	6½ <sub>16</sub> x 4¾	18	5¾ <sub>16</sub> x 4¾ <sub>32</sub>
JP(✚)00032	4	8½ <sub>16</sub> x 4¾	24	7¾ <sub>16</sub> x 4¾ <sub>32</sub>
JP(✚)00033	1	2½ <sub>16</sub> x 9	12	1¾ <sub>16</sub> x 8¾ <sub>32</sub>
JP(✚)00034	2	4½ <sub>16</sub> x 9	24	3¾ <sub>16</sub> x 8¾ <sub>32</sub>
JP(✚)00035	3	6½ <sub>16</sub> x 9	36	5¾ <sub>16</sub> x 8¾ <sub>32</sub>
JP(✚)00036	4	8½ <sub>16</sub> x 9	48	7¾ <sub>16</sub> x 8¾ <sub>32</sub>

✚ Insert calibration code (J, K, T, E, R, S, U) in Part Number, "U" is designated for RTDs and type B thermocouples

#### Design Features:

- \* For use with RTDs and shielded thermocouples requiring 3 wires.
- \* Complements modern miniature instrumentation.
- \* Jack bodies are ANSI color coded, glass-filled nylon with a temperature rating of 350°F (177°C) continuous and 400°F (204°C) intermittent.
- \* Panels are manufactured of rugged .090" thick aluminum.
- \* Brushed and anodized finishes are available at an additional cost. Consult TEMPCO with your requirements.
- \* Panels are supplied unassembled for ease of wiring—all hardware necessary to assemble is included.



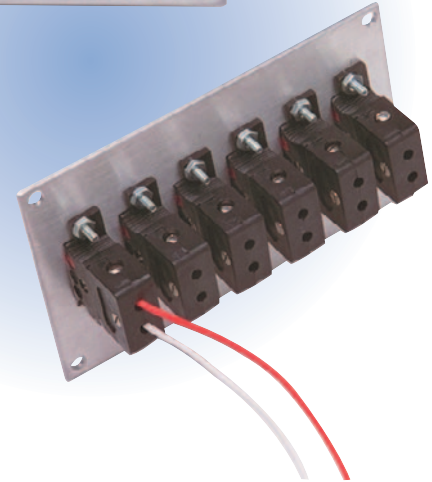
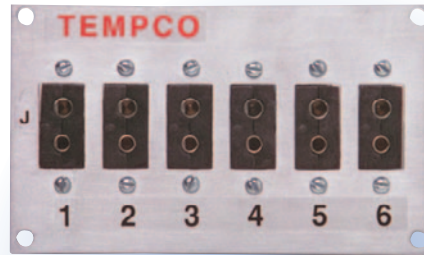
**Note:** Mounting Hole Spacing: 3/16" in from each side to center of 13/64" hole (for #10 screw)

## Jack Panels

### Jack Panels — Jab-In Style Termination

#### Design Features:

- \* Accepts Standard Plugs.
- \* Jacks will accept up to 14-gauge wire.
- \* Jack bodies are ANSI color coded, glass-filled nylon with a temperature rating of 350°F (177°C) continuous and 400°F (204°C) intermittent.
- \* Panels are manufactured of rugged .090" thick aluminum.
- \* Brushed and anodized finishes are available at an additional cost. Consult TEMPCO with your requirements.
- \* Jack rows are placed further apart than standard Jack Panels for ease of termination.
- \* Panels are supplied unassembled for ease of wiring — all hardware necessary to assemble is included.



#### Standard Sizes

Part Number	Number of Rows	Panel Height H x L (in)	Number of Jacks	Cutout Size H x L (in)
JP(+)00037	1	3½ x 5½	6	1¾ x 4 <sup>21</sup> / <sub>32</sub>
JP(+)00038	2	5 <sup>3</sup> / <sub>16</sub> x 5½	12	3 <sup>3</sup> / <sub>16</sub> x 4 <sup>21</sup> / <sub>32</sub>
JP(+)00039	3	8 <sup>1</sup> / <sub>8</sub> x 5½	18	6 <sup>1</sup> / <sub>2</sub> x 4 <sup>21</sup> / <sub>32</sub>
JP(+)00040	1	3½ x 10	12	1 <sup>7</sup> / <sub>8</sub> x 9¼
JP(+)00041	2	5 <sup>3</sup> / <sub>16</sub> x 10	24	3 <sup>3</sup> / <sub>16</sub> x 9¼
JP(+)00042	3	8 <sup>1</sup> / <sub>8</sub> x 10	36	6 <sup>1</sup> / <sub>2</sub> x 9¼

- \* Insert calibration code (J, K, T, E, R, S, U) in Part Number, "U" is designated for RTDs and type B thermocouples



**Note:** Mounting Hole Spacing: 3/16" in from each side to center of 13/64" hole (for #10 screw).

To help ease installation:  
Optional Ratchet Screwdriver

Part Number:  
TUL-101-101



#### Ordering Information

**Catalog Jack Panels**  
Order by Part Number

#### Custom Engineered/Manufactured Jack Panels

For sizes and styles not listed, TEMPCO will design and manufacture a Jack Panel to meet your specifications. **Standard lead time is 2 weeks.**

**Please Specify** the following:

- Overall Dimensions
- Type of Jack (Standard or Miniature)
- Number of Jacks (Circuits)
- Number of Rows
- Calibration

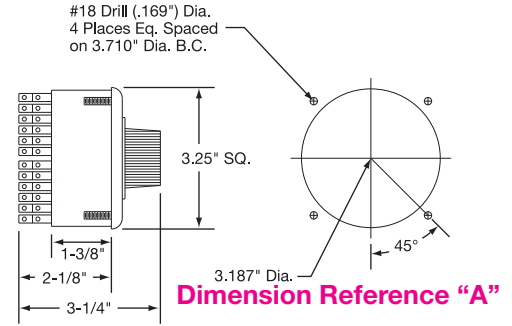
**WARNING:** Cancer and Reproductive Harm - [www.P65Warnings.ca.gov](http://www.P65Warnings.ca.gov).



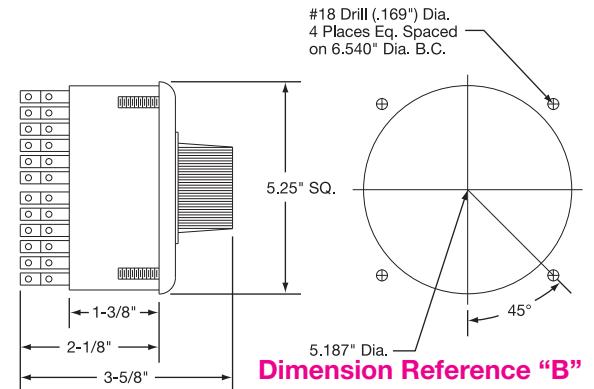
### Thermocouple and RTD Selector Switch

#### Design Features:

- \* Available in 6 to 36 positions.
- \* 2-pole and 3-pole circuits with "OFF" position.
- \* Silver-plated blades and contacts with self-cleaning wiper action and low contact resistance.
- \* Terminals are silver-plated brass with numbered circuits and polarity identification.
- \* "OFF" position has terminals available for shorting input circuit when using it with a digital meter (not available on 3-pole).
- \* High-impact GE Noryl™ case.



Number of Positions	Circuit Type	Dimensions Reference	Part Number
6	2-Pole	A	TCA-124-101
10	Break Before Make	A	TCA-124-102
12	2-Pole	A	TCA-124-103
18	Make Before Break	A	TCA-124-104
20	Make Before Break	A	TCA-124-105
24	2-Pole	B	TCA-124-106
36	Make Before Break	B	TCA-124-107
6	3-Pole	B	TCA-124-108
12	Make Before Break	B	TCA-124-109
18	Make Before Break	B	TCA-124-110
24	Make Before Break	B	TCA-124-111



### Circular Panel Jacks

#### Design Features:

- \* Available in standard and miniature sizes (2-pin only).
- \* Used where individual jacks are required to fit in standard electrical knockouts.
- \* Standard jack fits in 3/4" (1-1/8" dia.) electrical knockout.
- \* Miniature jack fits in 1/2" (7/8" dia.) electrical knockout.
- \* Jacks are ANSI color coded with a temperature rating of 350°F (177°C) continuous and 400°F (204°C) intermittent.
- \* Both the standard and miniature jacks install from the front of the panel with no additional hardware required.

Standard Jack

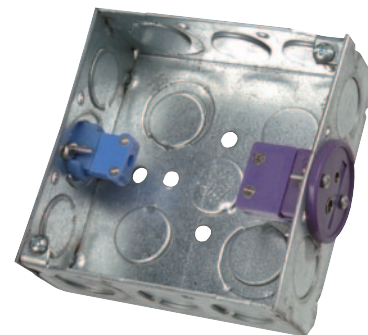


Miniature Jack



ANSI Calibration	Body Color	Part Number	
		Standard	Miniature
J	Black	TCA-102-167	TCA-102-174
K	Yellow	TCA-102-168	TCA-102-175
T	Blue	TCA-102-169	TCA-102-176
E	Purple	TCA-102-170	TCA-102-177
R/S	Green	TCA-102-171	TCA-102-178
U*	White	TCA-102-172	TCA-102-179
N	Orange	TCA-102-173	—

\* "U" is designated for RTDs and type B thermocouples



Example of Electrical Box Mount

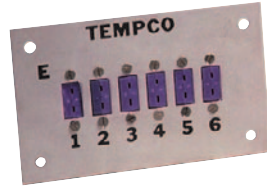
# Temperature Sensing



## Jack Panels

### Jack Panels

Panel Only



Panel and Box Assembly

### For FS Box

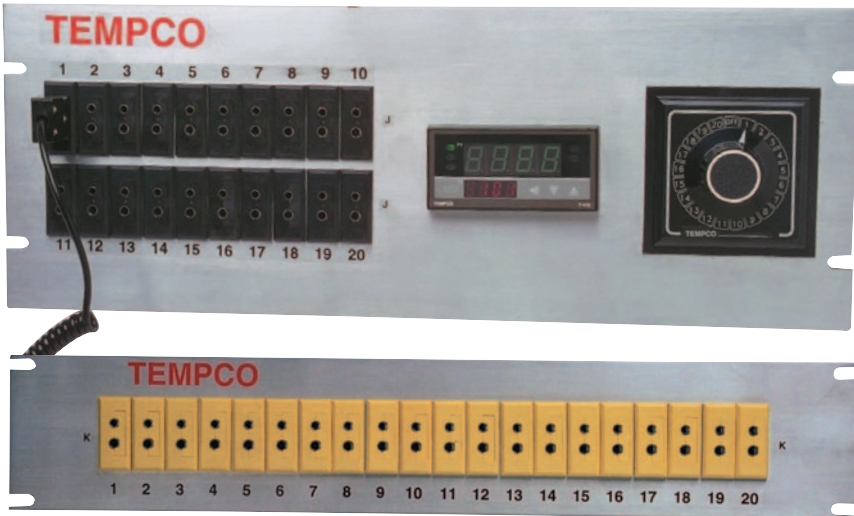
#### Design Features:

- \* Jack Panels are designed to be used with standard FS Style boxes.
- \* Panels are manufactured of rugged .090" thick aluminum.
- \* Panels are designed to accept the safest maximum number of Jacks.
- \* Available for Standard and Miniature Jacks, 2-pin or 3-pin.
- \* Rated for 350°F (177°C) continuous and 400°F (204°C) intermittent.
- \* Panels measure 2-13/16" high × 4-1/2" long.

Jack Style	Number of Jacks	Part Number	
		Panel Only	Panel and Box Assembly
Standard 2-Pin Bezel Mount	4	JP(+)00043	JP(+)00060
Standard 2-Pin Jab-In Mount	4	JP(+)00044	JP(+)00062
Standard 3-Pin	4	JP(+)00045	JP(+)00063
Miniature 2-Pin	6	JP(+)00046	JP(+)00059
Miniature 3-Pin	4	JP(+)00047	JP(+)00064

+ Insert calibration code (J, K, T, E, R, S, U) in Part Number, "U" is designated for RTDs and type B thermocouples

### Custom-Made 19" Rack Panels



#### Design Features:

- \* Panels are made of .090" thick aluminum with a smooth mill finish.
- \* All panels have slotted holes positioned at E.I.A. standard spacing.
- \* Panels are available with any of the standard or miniature Panel Jacks shown in this section.
- \* Rack Panels come in standard heights of 3-1/2", 5-1/4", 7", and 8-1/4".
- \* Panels are supplied unassembled for ease of wiring—all hardware to assemble is included.

### Ordering Information

#### Custom Engineered/Manufactured Rack Panels

TEMPCO can manufacture a Rack Panel to meet your specifications.  
**Standard lead time is 2 weeks.**

Please Specify the following:

Rack Panels are custom made.

- |   |   |
|---|---|
| <input type="checkbox"/> Panel Size                           | <input type="checkbox"/> Calibration(s)     |
| <input type="checkbox"/> Type of Jack (Standard or Miniature) | <input type="checkbox"/> Panel Meter Style  |
| <input type="checkbox"/> Number of Jacks (circuits)           | <input type="checkbox"/> Switch—if required |
| <input type="checkbox"/> Number of Rows                       |   |

**⚠ WARNING:** Cancer and Reproductive Harm - [www.P65Warnings.ca.gov](http://www.P65Warnings.ca.gov).