



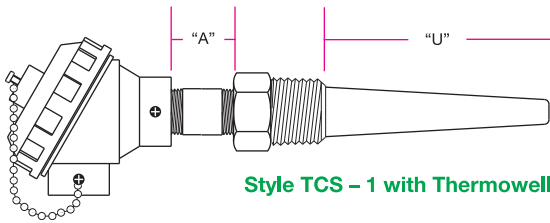
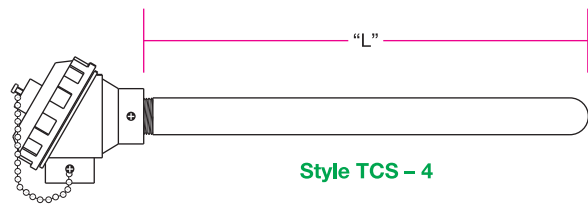
Industrial Process Thermocouples



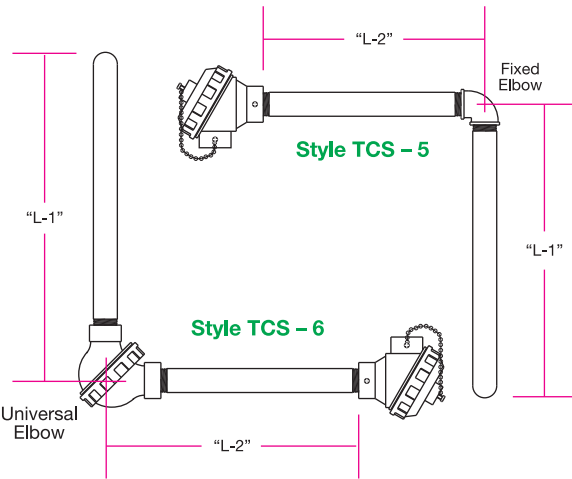
Tempco manufactures many styles of industrial thermocouple assemblies for a wide range of industries, from petrochemical to textile applications, where one or more protection tubes may be necessary to protect the thermocouple.

Metal Protecting Tube Assemblies

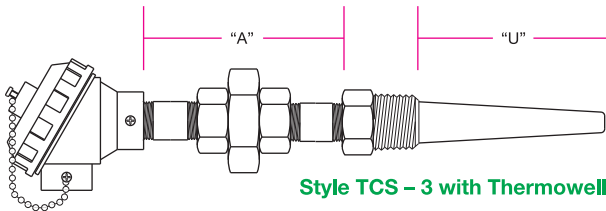
Thermowell Assemblies



Thermocouple Head, Nipple, Thermowell

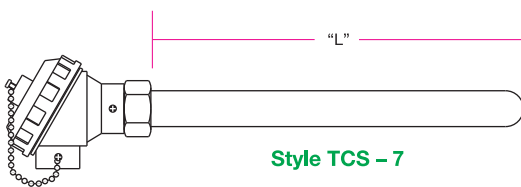


Thermocouple Head, Metal Protecting Tube

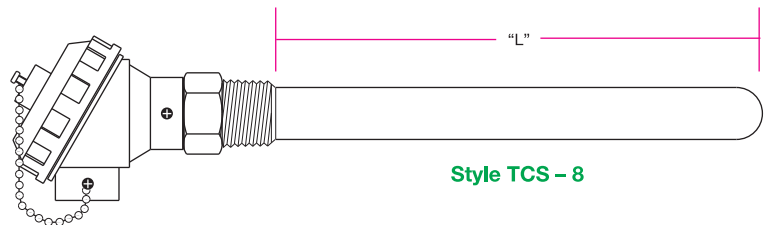


Thermocouple Head, Nipple, Union, Nipple, Thermowell

Ceramic Tube Assemblies



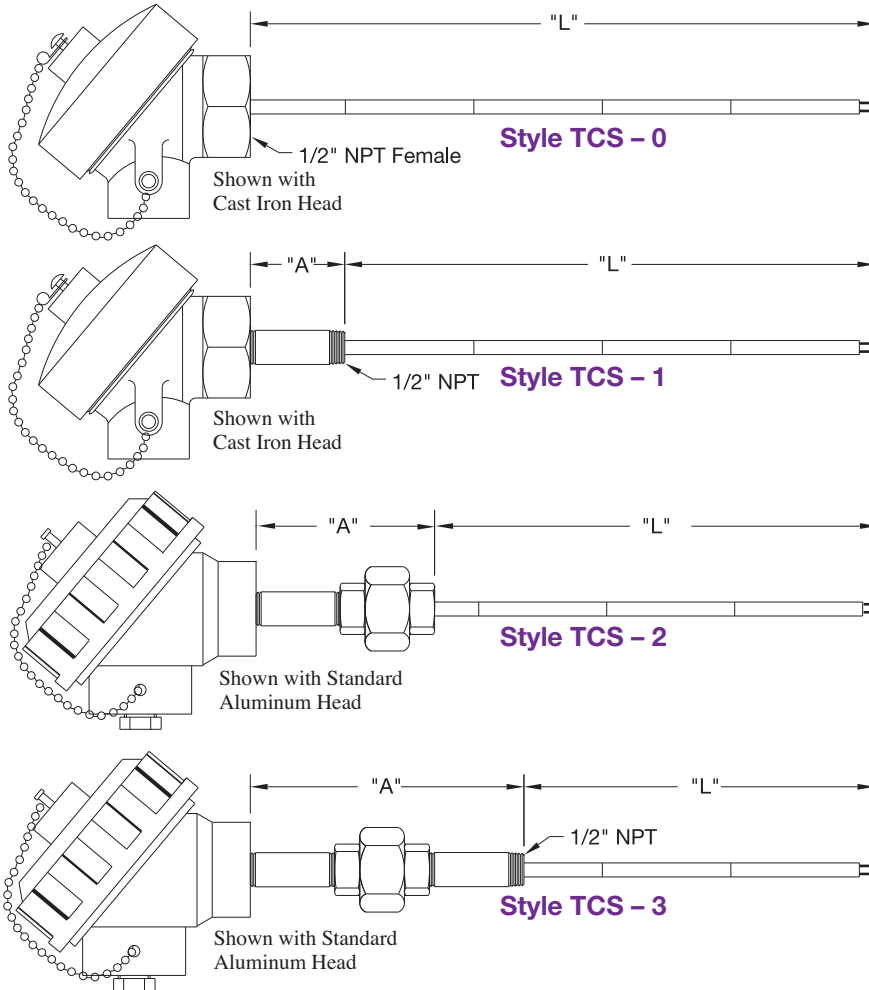
Thermocouple Head, Fixed Bushing, Ceramic Tube



Thermocouple Head, Ceramic Tube



Thermocouples for Thermowells and Protection Tubes



Design Features

- * Ceramic Insulator to Insulate Wires
- * Galvanized 1/2" Pipe Nipple & Union
- * Cast Iron or Aluminum Head
- * Used with protection tubes and thermowells shown on pages 14-76 through 14-86

Ordering Information

Thermocouples are offered with the options listed in the worksheet below. Create an ordering code by filling in the boxes with the appropriate number and/or letter designation for your requirements, and a part number will be assigned.

Ordering Code: **TCS** -

Style BOX 1
0 = Plain
1 = with Nipple
2 = with Nipple and Union
3 = with Nipple, Union and Nipple

Calibration Code BOX 2
J = Type J
K = Type K
X = Other (Specify)

Wire Gauge and Insulator Size BOX 3
B = 20 ga. (.172" x .118" insulator)
C = 14 ga. (.375" x .217" insulator)
D = 8 ga. (.437" x .250" insulator)
X = Other (Specify)

"L" Dimension BOX 4
 Whole inches
00 to 99

"A" Dimension (TCS -1, TCS -2 & TCS -3 only) BOX 5
01 to 99 inches or use Codes below for standard length
Enter 00 for TCS - 0 Style

| TCS1 | TCS2 | TCS3 |
|--------------------|--------------------|---------------------|
| S1 = 1" | S1 = 2-1/2" | S1 = 3-1/2" |
| S2 = 2-1/2" | S2 = 4" | S2 = 6-1/2" |
| S3 = 5-1/2" | S3 = 7" | S3 = 12-1/2" |

Connection Head BOX 6
A = Standard Size Aluminum
H = Standard Cast Iron
S = Stainless Steel
Note: All have 1/2" conduit connection (3/4" available).
 For overall dimensions see pages 14-98 through 14-100.

Special Requirements BOX 7
X = Specify
0 = None

WARNING: Cancer and Reproductive Harm - www.P65Warnings.ca.gov.