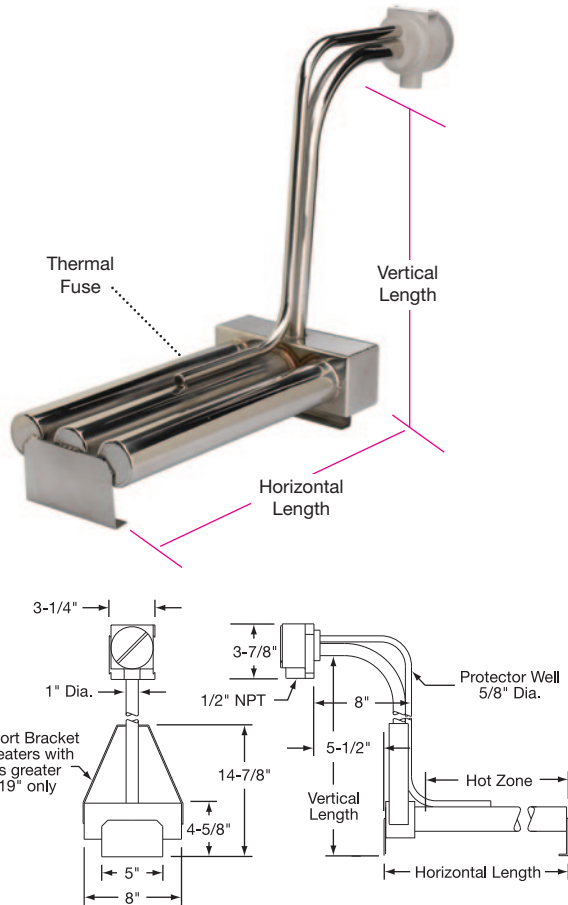


Metal Triple-Tube L-Shaped Heater



Typical Applications

For plating tanks, rinse tanks and other non-sludging aqueous solutions. Check compatibility guide on pages 11-88 and 11-89 and with chemical supplier for proper sheath material selection.

Design Features

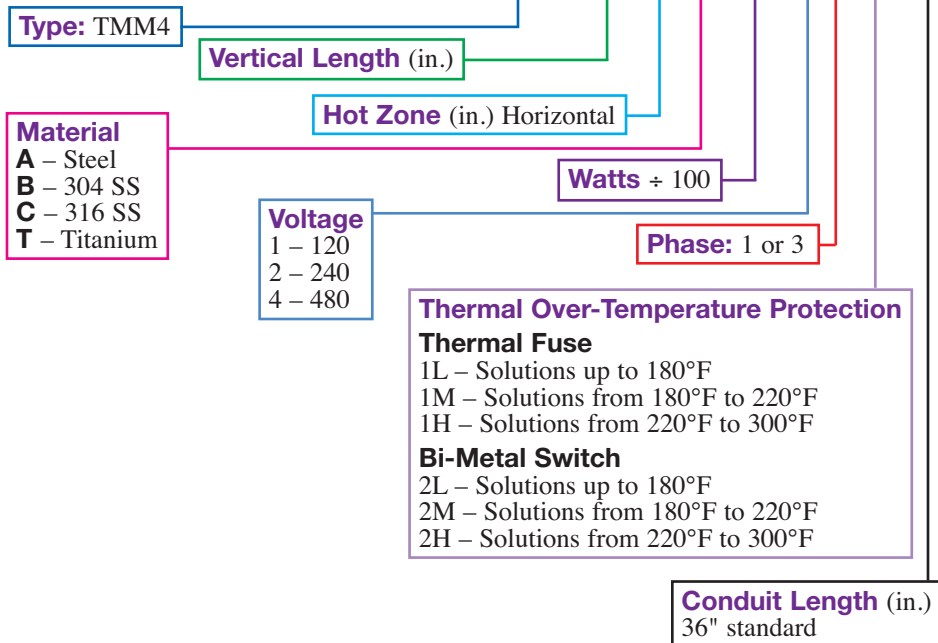
- * 35 watts/in² (5.5 watts/cm²) for long service life
- * Bottom mount design for even heating and varying solution levels
- * Standard 2" sludge legs (longer available)
- * Heavy duty, long lasting construction
- * T1 thermal fuse protection standard; T2 bi-metal switch optional
- * Grounded for safety
- * UL listed except Plain Steel; for US and Canada
- * Vapor-tight polypropylene terminal enclosure
- * Standard 3-ft. flexible PVC liquid-tight conduit
- * Three-phase standard; single-phase available as option
- * 240, 480 volts standard as listed — other voltages available
- * Longer and shorter vertical lengths available; consult Tempco

Standard Watts vs. Length

| Watts | H. Length | | V. Length | |
|-------|-----------|------|-----------|------|
| | in | mm | in | mm |
| 3000 | 13 | 330 | 15 | 381 |
| 6000 | 17 | 432 | 37 | 940 |
| 9000 | 22 | 559 | 37 | 940 |
| 12000 | 26 | 660 | 37 | 940 |
| 15000 | 31 | 787 | 37 | 940 |
| 18000 | 36 | 914 | 50 | 1270 |
| 24000 | 44 | 1118 | 50 | 1270 |
| 27000 | 50 | 1270 | 50 | 1270 |
| 30000 | 55 | 1397 | 50 | 1270 |
| 36000 | 64 | 1626 | 50 | 1270 |

Standard lead time is 2 to 3 weeks.

Ordering Code: T M M 4



Ordering Information

TMM4 heaters are offered with the options listed in this worksheet. Create an ordering code by filling in the blanks with the appropriate number and/or letter designation for your requirements, and a part number will be assigned.

WARNING: Cancer and Reproductive Harm - www.P65Warnings.ca.gov.