

Bulb & Capillary Thermostats

Thermostat Styles and Selection



Style C Double-Pole Thermostat

- * Secondary high limit circuit with manual reset
- * High limit tracks 25°F above setpoint temperature
- * High limit latches open until manual reset is pushed in the event that temperature goes up to 25°F above setpoint
- * Capable of controlling loads up to 30 Amps at 277 VAC



Style D Single-Pole Thermostat

- * General purpose thermostat recommended for most applications
- * Capable of controlling loads up to 25 Amps at 240 VAC

Thermostat Electrical Ratings: Normally Closed Contacts, Open on Temperature Rise – Adjustable

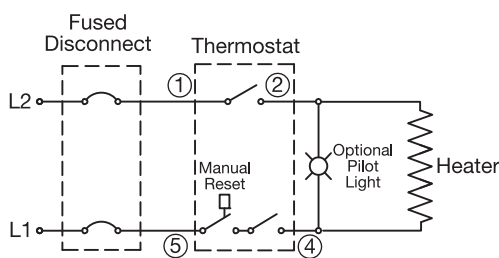
Stock Items Are Shown In RED

| Control Type | Style | Temp Range °F | Ampacity at Line Voltage | | | | Bulb Dia. in | Bulb Length in | Capillary Length in | Terminals | Thermostat Part Number | Optional Thermostat Parts | | | Instruction Sheet P/N |
|--------------|-------|---------------|--------------------------|------|------|------|--------------|----------------|---------------------|----------------|------------------------|---------------------------|-------------|-------------|-----------------------|
| | | | 120V | 240V | 277V | 480V | | | | | | Knob | Bezel | Pilot Lamp | |
| DPST | C | 60-250 | 30 | 30 | 30 | — | 0.38 | 4.50 | 18 | #10 screw | TST-110-127 | TST-104-103 | TST-111-102 | EHD-109-103 | IDP-119-106 |
| | | 60-250 | 30 | 30 | 30 | — | 0.38 | 4.50 | 24 | #10 screw | TST-110-128 | TST-104-103 | TST-111-102 | EHD-109-103 | IDP-119-106 |
| | | 60-250 | 30 | 30 | 30 | — | 0.38 | 4.50 | 36 | #10 screw | TST-110-129 | TST-104-103 | TST-111-102 | EHD-109-103 | IDP-119-106 |
| | | 60-250 | 30 | 30 | 30 | — | 0.38 | 4.50 | 72 | #10 screw | TST-110-113 | TST-104-103 | TST-111-102 | EHD-109-103 | IDP-119-106 |
| SPST | D | 20-120 | 25 | 25 | — | — | 0.26 | 4.15 | 24 | 6" leads | TST-101-109 | TST-104-105 | n/a | n/a | IDP-119-101 |
| | | 40-107 | 25 | 25 | — | — | 0.27 | 5.88 | 6 | 6" leads | TST-101-119 | TST-104-102 | n/a | n/a | IDP-119-101 |
| | | 47-107 | 25 | 25 | — | — | 0.32 | 2.85 | 8 | 6" leads | TST-101-106 | TST-104-102 | n/a | n/a | IDP-119-101 |
| | | 55-115 | 25 | 25 | — | — | 0.26 | 3.70 | 42 | 6" leads | TST-101-118 | TST-104-102 | n/a | n/a | IDP-119-101 |
| | | 60-180 | 22 | 22 | 18 | — | 0.28 | 4.20 | 6 | 6" leads | TST-101-105 | screw adj. | n/a | n/a | IDP-119-101 |
| | | 60-250 | 25 | 25 | — | — | 0.28 | 3.00 | 12 | 6" leads | TST-101-101 | TST-104-101 | n/a | n/a | IDP-119-101 |
| SPDT | D | 60-250 | 25 | 25 | — | — | 0.26 | 3.35 | 70 | ¼" quick conn. | TST-101-111 | TST-104-101 | n/a | n/a | IDP-119-101 |
| SPDT | D | 60-250 | 25 | 25 | 22 | — | 0.27 | 4.10 | 12 | #10 screw | TST-101-116 | TST-104-114 | n/a | n/a | IDP-119-103 |

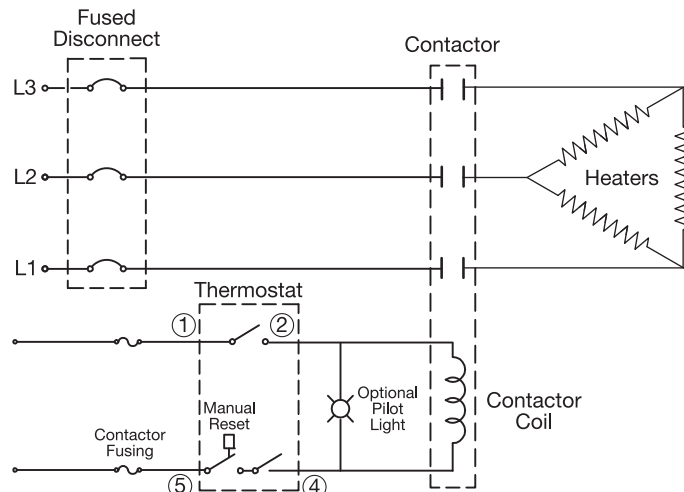
NOTES:

- Knobs, Bezels and Pilot Lamps are optional and must be ordered separately from the thermostat.
- Knob **TST-104-119** graduated in °C (15-120) is available as an alternate for the standard TST-104-103 knob graduated in °F (60-250).
- Knob **TST-104-105** is a plain pointer knob, not calibrated for the range.
- Knob **TST-104-102** is printed with 4 through 10, not calibrated for the range.
- For Thermostat Enclosures refer to page 11-9.

Thermostat Style C (Double Pole—Single Throw) with Reset



Typical circuit when voltage and/or line current does not exceed thermostat ratings



1Ø or 3Ø circuit if line voltage and/or current exceeds thermostat rating