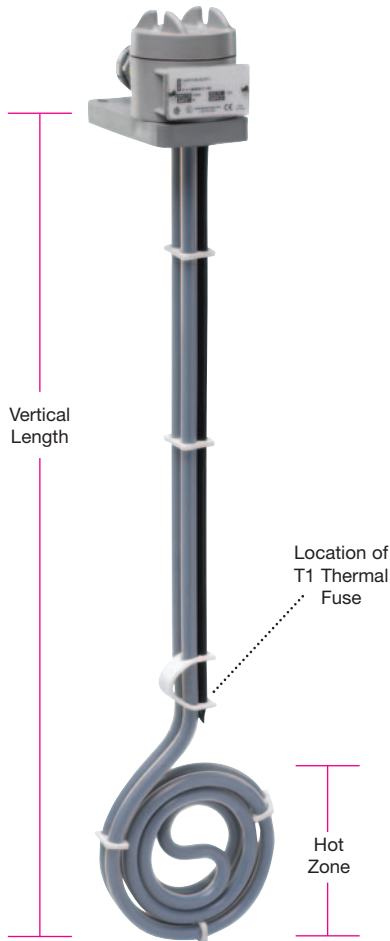


Tank Immersion Heaters

Fluoropolymer (PTFE) Single-Element Round Heater



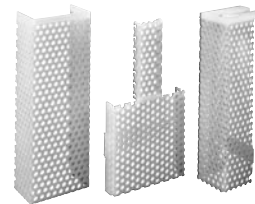
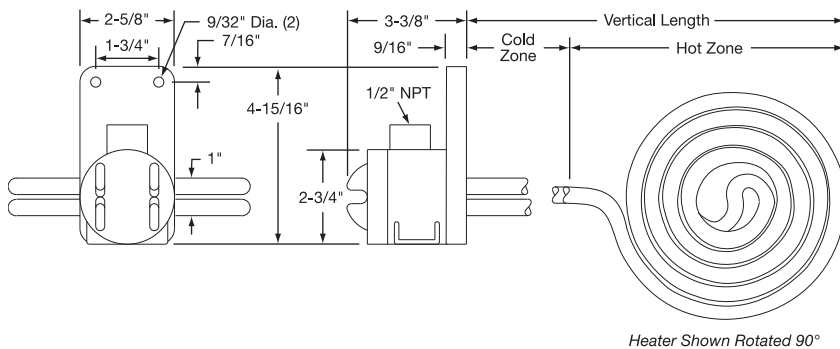
Typical Applications

Compatible with most plating tank solutions; inert to acids, anodizing and pickling solutions up to 190°F (88°C). Check compatibility guide on pages 11-88 and 11-89 and with chemical supplier for proper sheath material selection.

Replaces more expensive alumina or graphite heaters.

Design Features

- * Flat, low profile design
- * 10 watts/in² (1.6 watts/cm²) for long service life
- * Non-contaminating Fluoropolymer (PTFE) covered stainless steel elements
- * T1 thermal fuse protection standard; T2 bi-metal switch optional
- * Grounded internal metal element for safety.
- * UL listed for US and Canada
- * Lightweight, non-floating construction
- * Vapor-tight polypropylene terminal enclosure with universal mounting flange
- * Standard 3-ft. flexible PVC liquid-tight conduit.
- * Single-Phase only
- * 120, 240, 480 volts standard as listed — other voltages available
- * Longer and shorter vertical lengths available; consult Tempco



Note: Guards are recommended for all fluoropolymer heaters. Standard guards are made of polypropylene. Fluoropolymer (PTFE) guards are available for chromic acid and temperatures above 180°F (82°C).

Standard (Non-Stock) Sizes and Ratings with Polypropylene Guard

| Watts | Part Number | | | Hot Zone | | Vertical Length | | Diameter | |
|-------|-------------|----------|----------|----------|-----|-----------------|------|----------|-----|
| | 120V | 240V | 480V | in | mm | in | mm | in | mm |
| 500 | TMT03001 | TMT03002 | — | 6 | 152 | 14 | 356 | 5 | 127 |
| 1000 | TMT03003 | TMT03004 | — | 7 | 178 | 14 | 356 | 6 | 152 |
| 2000 | TMT03005 | TMT03006 | TMT03007 | 9 | 229 | 17 | 432 | 8 | 203 |
| 3000 | — | TMT03008 | TMT03009 | 10 | 254 | 23 | 584 | 9 | 229 |
| 4000 | — | TMT03010 | TMT03011 | 12 | 305 | 29 | 737 | 11 | 279 |
| 5000 | — | TMT03012 | TMT03013 | 13 | 330 | 35 | 889 | 12 | 305 |
| 6000 | — | TMT03014 | TMT03015 | 14 | 356 | 40 | 1016 | 13 | 330 |

Standard lead time is 2 to 3 weeks.

Ordering Information

See page 11-90