

Bulb & Capillary Thermostats

Thermostat Styles and Selection



Style C Double-Pole Thermostat

- * Secondary high limit circuit with manual reset
- * High limit tracks 25°F above setpoint temperature
- * High limit latches open until manual reset is pushed in the event that temperature exceeds 25°F above setpoint
- * Capable of controlling loads up to 30 Amps at 277 VAC



Style D Single-Pole Thermostat

- * General purpose thermostat recommended for most applications
- * Capable of controlling loads up to 25 Amps at 240 VAC

Thermostat Electrical Ratings: Normally Closed Contacts, Open on Temperature Rise – Adjustable

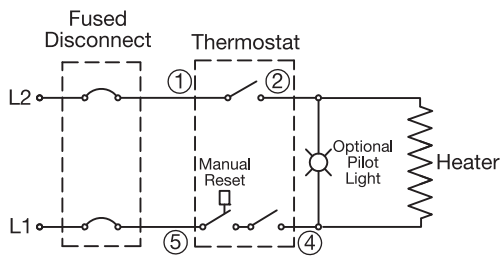
Stock Items Are Shown In RED

Control Type	Style	Temp Range °F	Ampacity at Line Voltage				Bulb Dia. in	Bulb Length in	Capillary Length in	Terminals	Thermostat Part Number	Optional Thermostat Parts			Instruction Sheet P/N
			120V	240V	277V	480V						Knob	Bezel	Pilot Lamp	
DPST	C	60–250	30	30	30	—	0.38	4.50	18	#10 screw	TST-110-127	TST-104-103	TST-111-102	EHD-109-103	IDP-119-106
		60–250	30	30	30	—	0.38	4.50	24	#10 screw	TST-110-128	TST-104-103	TST-111-102	EHD-109-103	IDP-119-106
		60–250	30	30	30	—	0.38	4.50	36	#10 screw	TST-110-129	TST-104-103	TST-111-102	EHD-109-103	IDP-119-106
		60–250	30	30	30	—	0.38	4.50	72	#10 screw	TST-110-113	TST-104-103	TST-111-102	EHD-109-103	IDP-119-106
SPST	D	20–120	25	25	—	—	0.26	4.15	24	6" leads	TST-101-109	TST-104-105	n/a	n/a	IDP-119-101
		40–107	25	25	—	—	0.27	5.88	6	6" leads	TST-101-119	TST-104-102	n/a	n/a	IDP-119-101
		47–107	25	25	—	—	0.32	2.85	8	6" leads	TST-101-106	TST-104-102	n/a	n/a	IDP-119-101
		55–115	25	25	—	—	0.26	3.70	42	6" leads	TST-101-118	TST-104-102	n/a	n/a	IDP-119-101
		60–180	22	22	18	—	0.28	4.20	6	6" leads	TST-101-105	screw adj.	n/a	n/a	IDP-119-101
		60–250	25	25	—	—	0.28	3.00	12	6" leads	TST-101-101	TST-104-101	n/a	n/a	IDP-119-101
SPDT	D	60–250	25	25	—	—	0.26	3.35	70	¼" quick conn.	TST-101-111	TST-104-101	n/a	n/a	IDP-119-101
		60–250	25	25	22	—	0.27	4.10	12	#10 screw	TST-101-116	TST-104-114	n/a	n/a	IDP-119-103

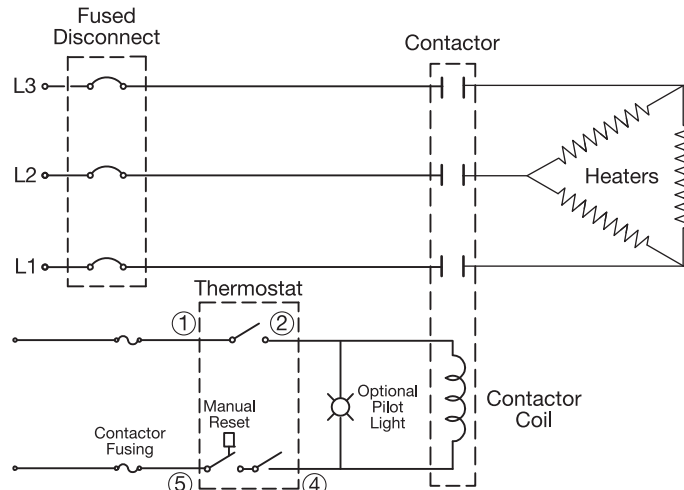
NOTES:

- Knobs, Bezels and Pilot Lamps are optional and must be ordered separately from the thermostat.
- Knob TST-104-119 graduated in °C (15-120) is available as an alternate for the standard TST-104-103 knob graduated in °F (60-250).
- Knob TST-104-105 is a plain pointer knob, not calibrated for the range.
- Knob TST-104-102 is printed with 4 through 10, not calibrated for the range.
- For Thermostat Enclosures refer to page 13-79.

Thermostat Style C (Double Pole—Single Throw) with Reset



Typical circuit when voltage and/or line current does not exceed thermostat ratings



1Ø or 3Ø circuit if line voltage and/or current exceeds thermostat rating