

VSA Series High Density Short Wave

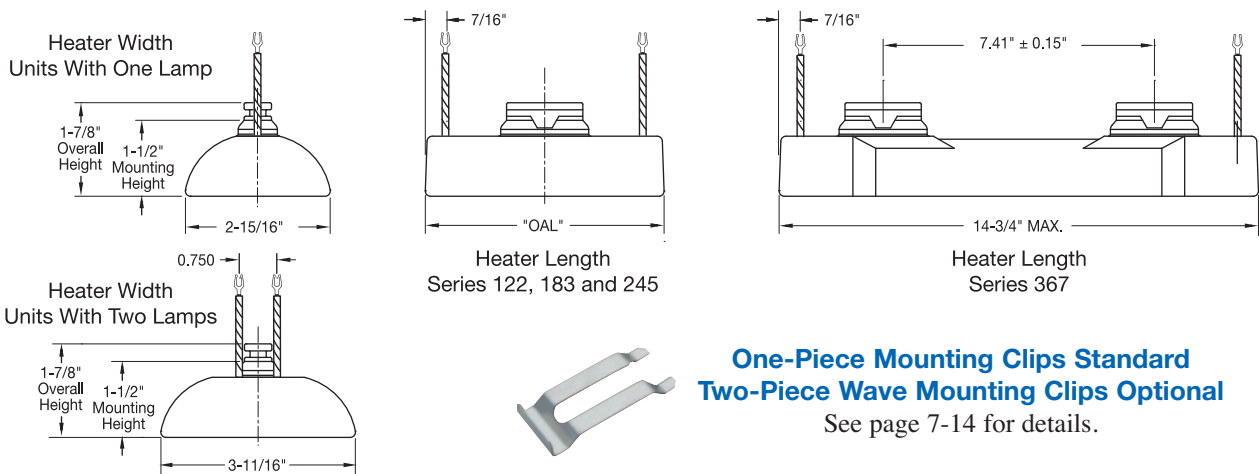


Design Features

- * Gold Coated Ceramic Reflector
- * Short Wave Infrared Radiation up to 220 watts per linear inch
- * Fast Response, Immediate ON/OFF, Time: 20-40 seconds for full heat-up
- * All Ceramic Housing Construction
- * Standard Lamp Voltages: 120 & 230/240
- * All units are double-ended construction

Typical Semiconductor Industry Applications

- ↔ Etching ↔ Rapid Thermal Process ↔ Strip Removal
- ↔ Epitaxy ↔ Chemical Vapor Deposit



One-Piece Mounting Clips Standard
Two-Piece Wave Mounting Clips Optional

See page 7-14 for details.

Standard (Non-Stock) VSA Series

VS Glow heaters listed have 10" mica insulated leads and a one-piece spring clip for mounting.

Series	Maximum Overall Length		Heated Length		Wattage	Voltage	Part Number	Number of Lamps	Replacement Lamp Part Number
	(in)	(mm)	(in)	(mm)					
122	4.90	124.5	1.77	45	150	120	VSA00322	1	LMP00056
					225	120	VSA00323	1	LMP00057
					275	120	VSA00324	1	LMP00058
					450	120	VSA00325	2	LMP00057
183	7.36	187.0	4.17	106	300	120	VSA00326	1	LMP00059
					475	120	VSA00327	1	LMP00060
					600	120	VSA00328	1	LMP00061
					950	120	VSA00329	2	LMP00060
245	9.82	249.5	6.65	168	500	120	VSA00330	1	LMP00062
					750	120	VSA00331	1	LMP00063
					1000	120	VSA00332	1	LMP00064
					1500	120	VSA00333	2	LMP00063
					500	230/240	VSA00334	1	LMP00065
					750	230/240	VSA00335	1	LMP00066
					1000	230/240	VSA00336	1	LMP00067
367	14.74	374.5	11.38	289	1500	230/240	VSA00337	2	LMP00066
					800	120	VSA00338	1	LMP00068
					1250	120	VSA00339	1	LMP00069
					1500	120	VSA00340	1	LMP00070
					2500	120	VSA00341	2	LMP00069
					800	230/240	VSA00342	1	LMP00071
					1250	230/240	VSA00343	1	LMP00072
					1500	230/240	VSA00344	1	LMP00073
2500	230/240	VSA00345	2	LMP00072					