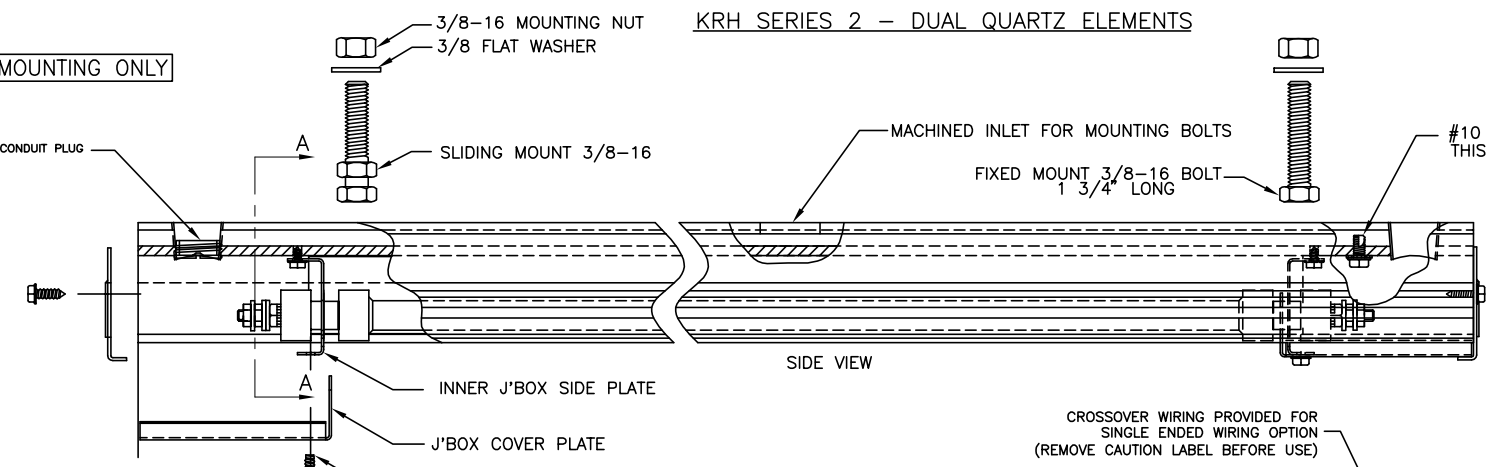
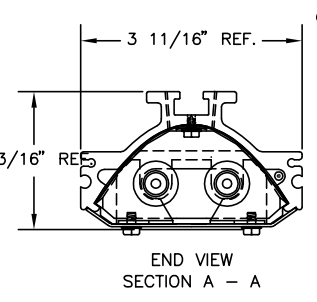


PROPRIETARY AND CONFIDENTIAL: THIS DRAWING AND THE INFORMATION WITHIN ARE PROPRIETARY TO TEMPCO ELECTRIC HEATER CORPORATION AND ARE ISSUED IN STRICT CONFIDENCE ON THE CONDITION THAT THIS DRAWING AND ANY INFORMATION CONTAINED THEREIN SHALL NOT BE COPIED, USE FOR MANUFACTURE OR SALE, OR TRANSMITTED OR DISCLOSED TO A THIRD PARTY, IN WHOLE OR IN PART, WITHOUT THE PRIOR WRITTEN CONSENT OF TEMPCO ELECTRIC HEATER CORPORATION. REMOVING THIS DOCUMENT FROM TEMPCO WITHOUT TEMPCO'S WRITTEN CONSENT IS PROHIBITED. TEMPCO ELECTRIC HEATER CORPORATION. ALL RIGHTS RESERVED.

ECO #	NO.	REVISION	DATE	BY
-------	-----	----------	------	----

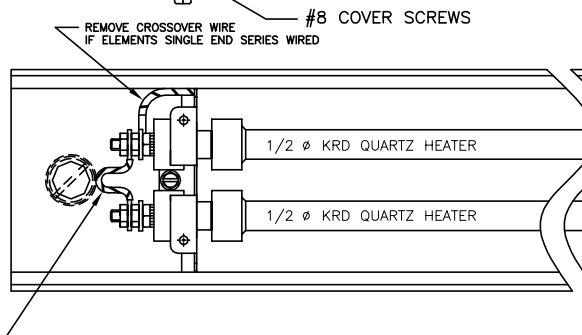
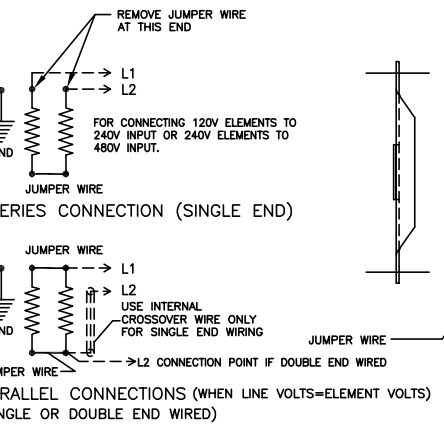
KRH SERIES 2 – DUAL QUARTZ ELEMENTS

CAUTION: FOR HORIZONTAL MOUNTING ONLY



#10 GROUND SCREW THIS END ONLY

INTERNAL WIRING SCHEMATICS



CAUTION: USE 200°C OR HIGHER RATED WIRE TO CONNECT TO THIS WIRE INSIDE TRH HOUSING OR CONNECT TO FIELD WIRING USING EXTERNAL JUNCTION BOX.

INSTALL FIELD WIRING AT THIS END IF SINGLE ENDED WIRING OPTION IS USED

WARNING: HAZARD OF ELECTRIC SHOCK. INSTALLATION MUST BE GROUNDED TO EARTH TO AVOID SHOCK HAZARD. DISCONNECT POWER TO INSTALLATION BEFORE SERVICING OR INSTALLING HEATER.

KRH ASSEMBLY INSTRUCTIONS

- LAY UNIT FACE UP AND TAKE OFF THE JUNCTION BOX COVER PLATES FROM BOTH ENDS. IT MAY BE NECESSARY TO LOOSEN END PLATES. INSTALL ALL LINE WIRING FITTINGS AS REQUIRED FOR INSTALLATION AT THIS TIME.
- INSERT LOCATING GROOVE OF QUARTZ HEATER(S) CAREFULLY ONE AT A TIME INTO SLOTS OF INNER J'BOX PLATES. BE SURE THE FIRST ONE PUT IN IS ALL THE WAY OVER TO THE SIDE OF SLOT BEFORE INSERTING SECOND ONE. (TWO ELEMENT UNITS ONLY). DO NOT FORCE ELEMENTS INTO POSITION.
- ATTACH JUMPER WIRE AND CROSSOVER WIRE (IF SINGLE END WIRED) TO ONE END AS SHOWN. ATTACH OTHER WIRE JUMPER AND INPUT POWER WIRING TO OPPOSITE END. OMIT JUMPER AT INPUT END WHEN CONNECTING ELEMENTS IN SERIES TO OPERATE 120V ELEMENTS AT 240V, OR 240V ELEMENTS ON 480V INPUT. (SEE DIAGRAMS)
- REINSTALL J'BOX COVER PLATES AND/OR END PLATES AND COMPLETE INSTALLATION USING MOUNTING BOLTS PROVIDED.

HIGH TEMPERATURE WIRE AND REPLACEMENT PARTS ARE AVAILABLE FROM TEMPCO. IF ELEMENT IS TO BE REPLACED IT IS RECOMMENDED THAT A NEW REFLECTOR BE ORDERED ALSO. CONTACT FACTORY WITH HEATER P/N, WATTS, AND VOLTAGE REQUIRED WHEN ORDERING REPLACEMENT PARTS.

CLEAN REFLECTOR PERIODICALLY. DO NOT USE STRONG ALKALI CLEANERS ON THE ALUMINUM REFLECTOR AS THEY WILL DULL THE FINISH. A MILD SOAP & WATER SOLUTION IS RECOMMENDED.

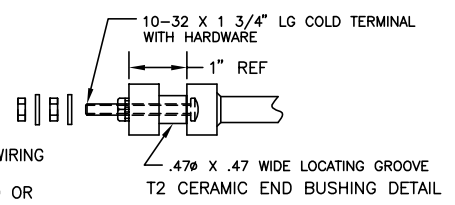
DANGER; HAZARD OF FIRE. THESE HEATERS ARE NOT FOR USE IN ATMOSPHERES WHERE FLAMMABLE OR COMBUSTIBLE VAPORS, DUST, GASES, OR LIQUIDS ARE PRESENT AS DEFINED IN THE NATIONAL ELECTRICAL CODE. WHERE SOLVENTS, WATER, ETC. ARE BEING EVAPORATED FROM THE PROCESS, IT IS NECESSARY TO PROVIDE SUBSTANTIAL QUANTITIES OF VENTILATING AIR TO CARRY AWAY ALL RESULTING VAPORS.

BE SURE ALL ELECTRICAL CONNECTIONS ARE TIGHTLY MADE. HOLD TERMINAL WITH PLIERS WHEN TIGHTING SCREWS. MAKE SURE ALL CONDUCTORS ARE PROPERLY INSULATED AND ROUTED TO ALLOW FOR EXPANSION AND CONTRACTION OF THE UNIT.

CAUTION: DO NOT MOUNT HEATER HOUSING CLOSER THAN 6" TO ANY STRUCTURAL MATERIAL THAT DOES NOT HAVE AT LEAST A 200C CONTINUOUS TEMPERATURE RATING.

NOTE:
FOR DUAL VOLTAGE OR MULTIPLE HEAT WIRING SEE WIRING DIAGRAM IDP-129-107 AVAILABLE UPON REQUEST FROM TEMPCO OR ON LINE AT WWW.TEMPCO.COM

"WARNING:"
DO NOT USE COPPER WIRE TO MAKE CONNECTIONS INSIDE THIS HEATER. HIGH TEMPERATURES WILL OXIDIZE COPPER. USE OF NICKEL PLATED OR NICKEL CLAD INSULATED COPPER WIRE IS RECOMMENDED. WIRE INSULATION RATING MUST BE SUITABLE FOR THE AMBIENT TEMPERATURE OF THE WIRING INSTALLATION. AMPACITY & VOLTAGE RATINGS SHOULD BE IN ACCORDANCE WITH NEC/NFPA (NATIONAL ELECTRICAL CODE) & ALL OTHER LOCAL REGULATIONS.



TITLE:			
KRH UNIVERSAL 2000 RADIANT HEATER INSTALLATION, WIRING, & PARTS ASSEMBLY NEMA 1 HOUSING – SERIES 2			
DRAWN BY:	APPROVED:	REV.	DATE:
JWG	GDS	3	2/11/13
DRAWING NUMBER:		IDP-129-105	

TEMPCO
www.tempco.com

TEMPCO Electric Heater Corporation
607 N. Central Ave.
Wood Dale, IL 60191-1452 U.S.A.
Email: info@tempco.com