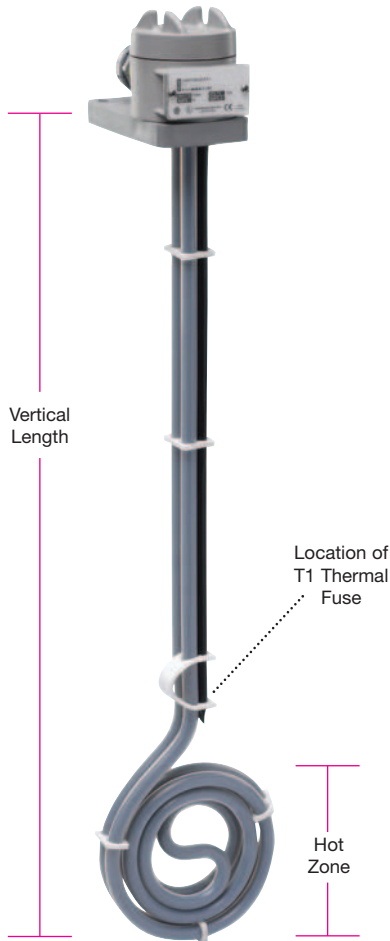


### Fluoropolymer (PTFE) Single-Element Round Heater



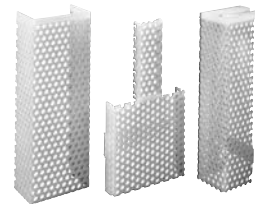
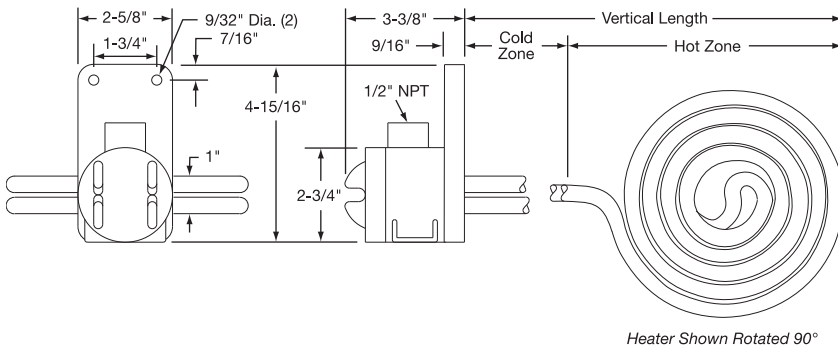
#### Typical Applications

Compatible with most plating tank solutions; inert to acids, anodizing and pickling solutions up to 190°F (88°C). Check compatibility guide on pages 11-88 and 11-89 and with chemical supplier for proper sheath material selection.

**Replaces more expensive alumina or graphite heaters.**

#### Design Features

- \* Flat, low profile design
- \* 10 watts/in<sup>2</sup> (1.6 watts/cm<sup>2</sup>) for long service life
- \* Non-contaminating Fluoropolymer (PTFE) covered stainless steel elements
- \* T1 thermal fuse protection standard; T2 bi-metal switch optional
- \* Grounded internal metal element for safety.
- \* UL listed for US and Canada
- \* Lightweight, non-floating construction
- \* Vapor-tight polypropylene terminal enclosure with universal mounting flange
- \* Standard 3-ft. flexible PVC liquid-tight conduit.
- \* Single-Phase only
- \* 120, 240, 480 volts standard as listed — other voltages available
- \* Longer and shorter vertical lengths available; consult Tempco



**Note:** Guards are recommended for all fluoropolymer heaters. Standard guards are made of polypropylene. Fluoropolymer (PTFE) guards are available for chromic acid and temperatures above 180°F (82°C).

#### Standard (Non-Stock) Sizes and Ratings with Polypropylene Guard

Watts	Part Number			Hot Zone		Vertical Length		Diameter	
	120V	240V	480V	in	mm	in	mm	in	mm
500	TMT03001	TMT03002	—	6	152	14	356	5	127
1000	TMT03003	TMT03004	—	7	178	14	356	6	152
2000	TMT03005	TMT03006	TMT03007	9	229	17	432	8	203
3000	—	TMT03008	TMT03009	10	254	23	584	9	229
4000	—	TMT03010	TMT03011	12	305	29	737	11	279
5000	—	TMT03012	TMT03013	13	330	35	889	12	305
6000	—	TMT03014	TMT03015	14	356	40	1016	13	330

Standard lead time is 2 to 3 weeks.

#### Ordering Information

See page 11-90