

Bimetal Dial Thermometers for Industrial Applications

Typical Applications

- ➔ Oil, Gas & Petrochemical
- ➔ Waste Water
- ➔ Pharmaceutical
- ➔ Compost
- ☐ ➔ Food & Beverage
- ☐ ➔ Military
- ☐ ➔ Paper and Pulp
- ☐ ➔ Dairy
- ☐ ➔ Mining
- ☐ ➔ Power Generation
- ☐ ➔ Utilities
- ☐ ➔ Refrigeration
- ☐ ➔ Marine
- ☐ and Many More !!!

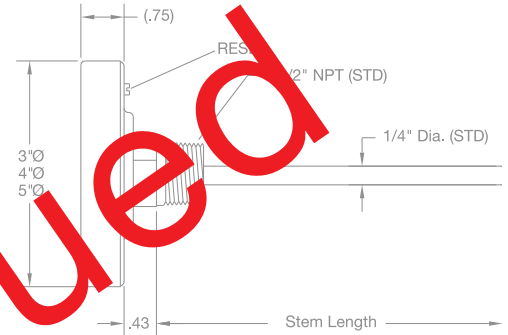
Bimetal Dial Thermometers are ideal for when you need a simple, "local" temperature display.

Tempco offers 2 styles: Backmounted and Adjustable Angle, each available with either 3" or 5" dials.

Backmounted Bimetal Dial Thermometers

Design Features

- * All Stainless Steel Construction
- * Hermetically Sealed (ASME B40.3)
- * Accurate to 1% of Full Scale
- * Standard External Reset
- * Silicone Fillable for Vibration Resistance
- * 1/2" NPT Connection Standard
- * Selected 3" and 5" Dial Thermometers Available from Stock



Backmounted Bimetal Dial Thermometers Standard Sizes and Ranges 1/2" NPT Connection Standard

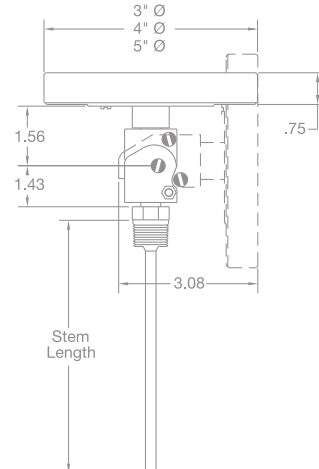
Dial Dia. (in)	Stem Length (in)	Part Number by Temperature Range					
		-40 to 160°F	0 to 100°F	0 to 200°F	0 to 250°F	50 to 300°F	50 to 550°F
3	2.5	BMT10001	BMT10004	BMT10007	BMT10010	BMT10013	BMT10016
	4	BMT10002	BMT10005	BMT10008	BMT10011	BMT10014	BMT10017
	6	BMT10003	BMT10006	BMT10009	BMT10012	BMT10015	BMT10018
5	2.5	BMT10019	BMT10022	BMT10025	BMT10028	BMT10031	BMT10034
	4	BMT10020	BMT10023	BMT10026	BMT10029	BMT10032	BMT10035
	6	BMT10021	BMT10024	BMT10027	BMT10030	BMT10033	BMT10036

Stock Items Are Shown In RED

Adjustable Angle Bimetal Dial Thermometers

Design Features

- * Complete 180° Adjustability
- * 360° Case Rotation
- * All Stainless Steel Construction
- * Hermetically Sealed (ASME B40.3)
- * Accurate to 1% of Full Scale
- * Standard External Reset
- * Silicone Fillable for Vibration Resistance
- * 1/2" NPT Connection Standard
- * Selected 3" and 5" Dial Thermometers Available from Stock



CONTINUED →

Bimetal Dial Thermometers for Industrial Applications

Continued from previous page...

Adjustable Angle Bimetal Dial Thermometers Standard Sizes and Ranges 1/2" NPT Connection Standard

Dial Dia. (in)	Stem Length (in)	Part Number by Temperature Range					
		-40 to 160°F	0 to 100°F	0 to 200°F	0 to 250°F	50 to 300°F	50 to 550°F
3	2.5	BMT20001	BMT20004	BMT20007	BMT20010	BMT20013	BMT20016
	4	BMT20002	BMT20005	BMT20008	BMT20011	BMT20014	BMT20017
	6	BMT20003	BMT20006	BMT20009	BMT20012	BMT20015	BMT20018
5	2.5	BMT20019	BMT20022	BMT20025	BMT20028	BMT20031	BMT20034
	4	BMT20020	BMT20023	BMT20026	BMT20029	BMT20032	BMT20035
	6	*BMT20021	BMT20024	BMT20027	BMT20030	BMT20033	BMT20036

Stock Items Are Shown In **RED**

Ordering Code **BMT** -

Dial Diameter BOX 1
Standard: 3 = 3"
 5 = 5"
Special: 4 = 4"
 9 = Other (Specify)

Temperature Scale BOX 5
Standard: F = Fahrenheit
Special: C = Celsius
 D = Dual

Dial Mounting Style BOX 2
A = Adjustable Angle
B = Back Mounted

Stem Length BOX 3
 Whole inches + tenths
 Standard Stem Lengths are:
025 = 2.5" **040** = 4" **060** = 6"
090 = 9" **120** = 12"
Note: For special order, lengths from 2.5" (025) to 10" (800) are available;
 Consult Tempco with your requirements.

Temperature Ranges BOX 6

Code	Fahrenheit	Celsius	Dual (°F & °C)
23	-40/160°F		
43	0/100°F		
47	0/200°F		
63	0/250°F		
67	50/300°F		
67	50/500°F		
Special:			
23		-40/70°C	-40/160°F & -40/70°C
55	25/125°F	0/50°C	25/125°F & -5/50°C
43		0/100°C	0/200°F & -10/90°C
47		-20/120°C	0/250°F & -20/120°C
63		10/150°C	50/300°F & 10/150°C
67		10/250°C	50/500°F & 10/250°C
69	50/550°F	10/300°C	50/550°F & 10/300°C
81	150/750°F	50/400°C	150/750°F & 70/400°C
85	200/1000°F	100/500°C	200/1000°F & 100/500°C

Others ranges available; consult Tempco with your requirements.

Mounting/fitting BOX 4
Standard: 1 = 1/2" NPT
Special: 5 = 3/4" NPT adapter
 U = 1/2" NPT union (female conversion)
 C = 1-1/2" Sanitary Tri-Clamp
 L = 2" Sanitary Tri-Clamp
 M = 3/4" Sanitary Tri-Clamp
Others available; consult TEMPCO with your requirements.

Special Options BOX 7
PS = Pointed Stem **PC** = Acrylic Window
SF = Silicone Fill **PY** = Polycarbonate Window
SS = 316 SS Stem **TG** = Tempered Glass Window
F3 = 3/8" Stem Diameter **MM** = Min/Max Pointer
Consult Tempco with your requirements.

Ordering Information

Bimetal Thermometers are offered with the options listed in the worksheet above. Create an ordering code by filling in the boxes with the appropriate number and/or letter designation for your requirements and a part number will be assigned. Part Numbers for commonly used Bimetal Thermometers can be found in table above.

Standard lead time is stock to 3 weeks.

 **WARNING: Cancer and Reproductive Harm - www.P65Warnings.ca.gov.**

(800) 323-6859 • Email: sales@tempco.com

Digital Thermometers

Handheld Digital Thermometers — Heavy Duty, Accurate

Type J or K Thermometers with single or dual input, with direct or differential measurements to 0.1°

Design Features:

- * Rugged design for field use — includes rubber holster.
- * Displays Maximum reading and Data Hold at the touch of a button.
- * Single or dual input models available.
- * Dual input model provides differential readings.
- * Accurate to 0.3%, °F/°C switchable on the front panel.
- * Includes: 9V battery, holster with stand, wrist strap and bead-style temperature probe.



DTM11010



DTM11020



DTM11030

All Items Available from Stock

Specifications

	DTM11010	DTM11020	DTM11030
Thermocouple:	Single Type K	Dual Type K	Dual Type J or K
Temperature Range:	-58° to 2000°F (-50° to 1300°C)		J -328° to 1922°F (-200° to 1050°C) K -328° to 2498°F (-200° to 1370°C)
Basic Accuracy:	± 0.3% of reading		± 0.05% of reading
Display Counts:	2000		20,000
Resolution:	0.1° / 1°		0.2°F / 0.1°C
Dimensions:	6.5" × 3" × 1.7" (165 × 76 × 43mm)		7.6" × 3.6" × 2.1" (192 × 91 × 53mm)
Weight:	14.2 oz (403g)		13 oz (365g)

Temperature Probes – Thermocouple Type K

All probes shown come with 39" of cable and a mini-type plug.

DTA11015

- * Surface Probe
- * Straight Shaft
- * 6" (152 mm) long Ceramic Tip
- * Maximum Temperature: 932°F / 500°C



DTA11025

- * Blunt-end Probe
- * 4" (102 mm) long, 0.130" dia. rounded tip
- * Type K T/C
- * Maximum Temperature: 1292°F / 700°C



DTA11035

- * Piercing-end Probe
- * 4" (102 mm) long, 0.130" dia. rounded tip
- * Type K T/C
- * Maximum Temperature: 1472°F / 800°C

