

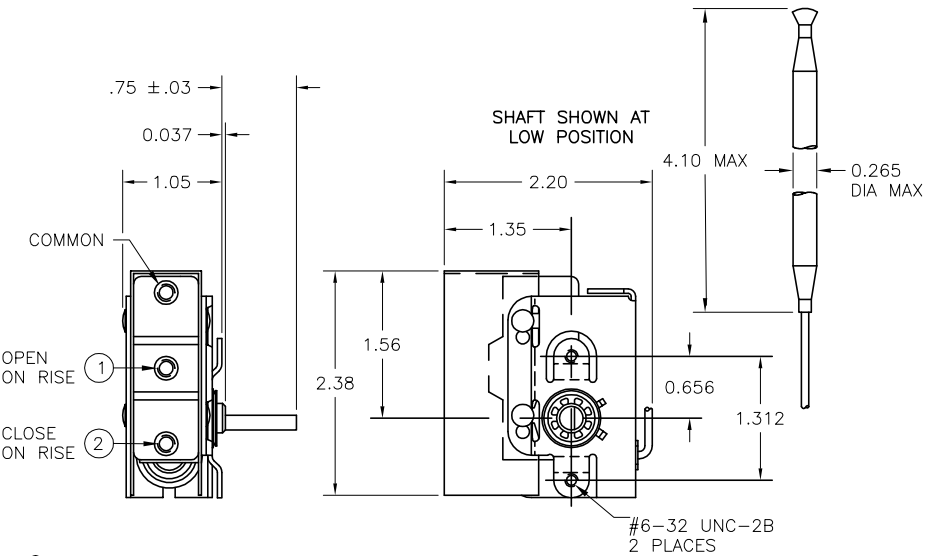
PROPRIETARY AND CONFIDENTIAL: THIS DRAWING AND THE INFORMATION WITHIN ARE PROPRIETARY TO TEMPCO ELECTRIC HEATER CORPORATION AND ARE ISSUED IN STRICT CONFIDENCE ON THE CONDITION THAT THIS DRAWING AND ANY INFORMATION CONTAINED THEREIN SHALL NOT BE COPIED, USE FOR MANUFACTURE OR SALE, OR TRANSMITTED OR DISCLOSED TO A THIRD PARTY, IN WHOLE OR IN PART, WITHOUT THE PRIOR WRITTEN CONSENT OF TEMPCO ELECTRIC HEATER CORPORATION. REMOVING THIS DOCUMENT FROM TEMPCO WITHOUT TEMPCO'S WRITTEN CONSENT IS PROHIBITED. TEMPCO ELECTRIC HEATER CORPORATION. ALL RIGHTS RESERVED.

ECO #	NO.	REVISION	DATE	BY
-------	-----	----------	------	----

TST-101-	LOW F	HIGH F	RATED V	RATED A	BULB LENGTH	BULB MAX. DIA.	CAPI-LLARY LENGTH	KNOB
116	60	250	120/277	25/22	4.1	0.265	12	TST-104-114

**WARNING: HAZARD OF ELECTRIC SHOCK. INSTALLATION MUST BE GROUNDED TO EARTH TO AVOID SHOCK HAZARD. DISCONNECT POWER TO INSTALLATION BEFORE SERVICING OR INSTALLING THERMOSTAT.**

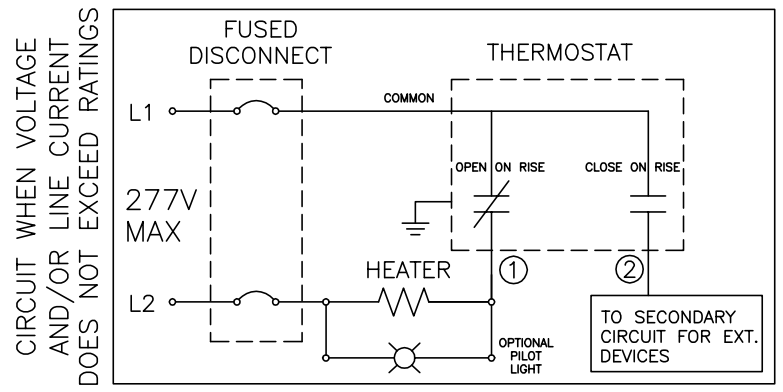
**WARNING: WIRE INSULATION RATING MUST BE SUITABLE FOR THE AMBIENT TEMPERATURE OF THE WIRING INSTALLATION. AMPACITY & VOLTAGE RATINGS SHOULD BE IN ACCORDANCE WITH NEC (NATIONAL ELECTRICAL CODE) & OTHER LOCAL REGULATIONS.**



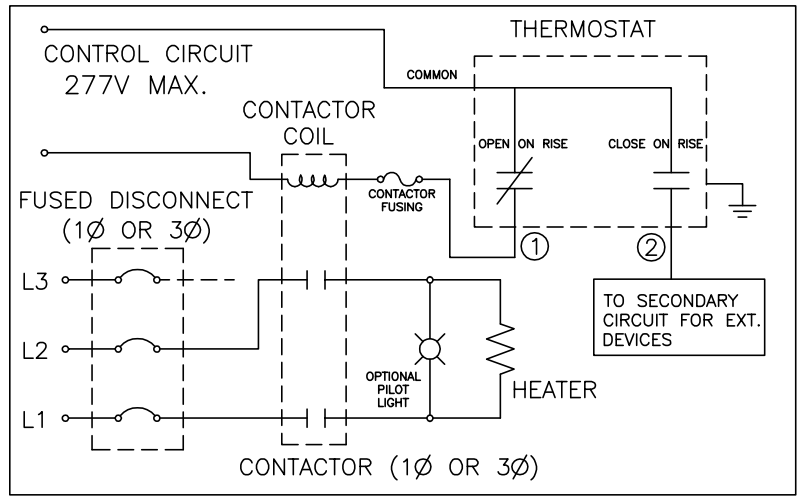
**CAUTION** DO NOT USE THE THERMOSTAT AS A POWER SWITCH. THERMOSTATS ARE NOT A FAIL SAFE DEVICE. USE AN APPROVED LIMIT CONTROL FOR SAFE OPERATION.

**CAUTION** WHEN IN DOUBT, CONSULT A PROFESSIONAL ELECTRICIAN OR CALL 800-323-6859.

- NOTES:**
1. SHAFT ROTATION IS CLOCKWISE TO INCREASE TEMPERATURE.
  2. MAXIMUM AMBIENT EXPOSURE OF THERMOSTAT BODY PER TABLE.
  3. MAXIMUM BULB EXPOSURE NOT TO EXCEED HIGH F RATING IN TABLE.
  4. MOUNTING SCREWS NOT TO PENETRATE CASE MOUNTING HOLES GREATER THAN 0.2 IN. TORQUE 7-9 IN/LBS.
  5. UL RECOGNIZED, CSA CERTIFIED.
  6. WHEN INSTALLING TEMPERATURE SENSING BULB, AVOID BENDS OR KINKING OF THE CAPILLARY TUBE.



CIRCUIT IF LINE VOLTAGE AND/OR CURRENT EXCEEDS THERMOSTAT RATING



TITLE:  
**WIRING INSTRUCTIONS  
 SINGLE POLE  
 DOUBLE THROW THERMOSTAT  
 STYLE D**

DRAWN BY: CBK    APPROVED: GDS    REV: 4    DATE: 7/30/03    DRAWING NUMBER: IDP-119-103

**TEMPCO**  
 630.350.2252    WWW.TEMPCO.COM

TEMPCO Electric Heater Corporation  
 607 N. Central Ave.  
 Wood Dale, IL 60191-1452 U.S.A.  
 Email: info@tempco.com