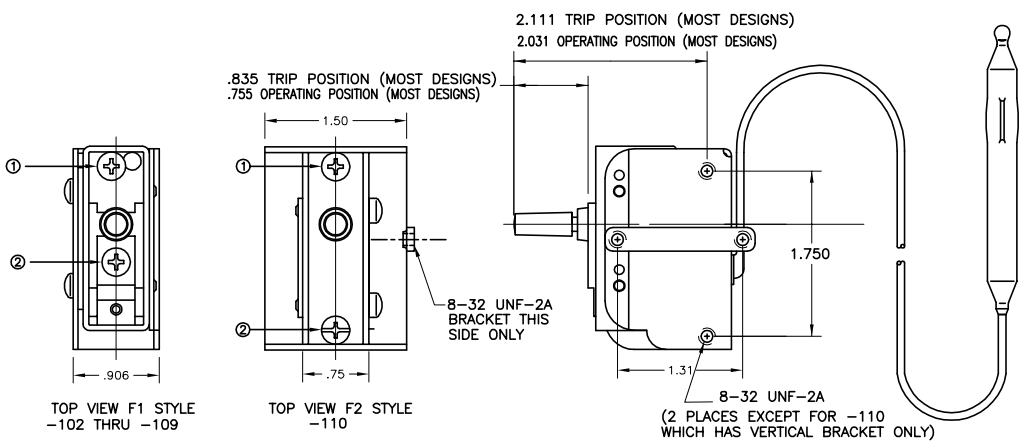


PROPRIETARY AND CONFIDENTIAL: THIS DRAWING AND THE INFORMATION WITHIN ARE PROPRIETARY TO TEMPCO ELECTRIC HEATER CORPORATION AND ARE ISSUED IN STRICT CONFIDENCE ON THE CONDITION THAT THIS DRAWING AND ANY INFORMATION CONTAINED THEREIN SHALL NOT BE COPIED, USE FOR MANUFACTURE OR SALE, OR TRANSMITTED OR DISCLOSED TO A THIRD PARTY, IN WHOLE OR IN PART, WITHOUT THE PRIOR WRITTEN CONSENT OF TEMPCO ELECTRIC HEATER CORPORATION. REMOVING THIS DOCUMENT FROM TEMPCO WITHOUT TEMPCO'S WRITTEN CONSENT IS PROHIBITED. TEMPCO ELECTRIC HEATER CORPORATION. ALL RIGHTS RESERVED.

ECO #	NO.	REVISION	DATE	BY
-------	-----	----------	------	----

TST-103-	LOW F	HIGH F	UL RATED V	UL A @ RATED V	CSA RATED V	CSA A @ RATED V	BULB LENGTH	BULB MAX. DIA.	CAPI-LLARY LENGTH	KNOB
102	115	121	250/480	30/20	277	20	3	0.322	12	None Req.
103	342	358	240/480	30/20	240/277	30/20	3.5	0.25	36.5	None Req.
104	198	212	250/480	30/20	240/277	30/20	4	0.313	12	None Req.
106	557	587	250/480	30/20	277	20	2.62	0.205	30	None Req.
107	135	165	250/480	30/20	277	20	2.63	0.205	30	None Req.
108	123	127	250/480	30/20	277	20	3.35	0.25	36	None Req.
109	114	122	250/480	30/20	277	20	3.35	0.265	6	None Req.
110	405	435	480	30	N/A	N/A	4.85	0.25	30	None Req.



WARNING: HAZARD OF ELECTRIC SHOCK. INSTALLATION MUST BE GROUNDED TO EARTH TO AVOID SHOCK HAZARD. DISCONNECT POWER TO INSTALLATION BEFORE SERVICING OR INSTALLING THERMOSTAT.

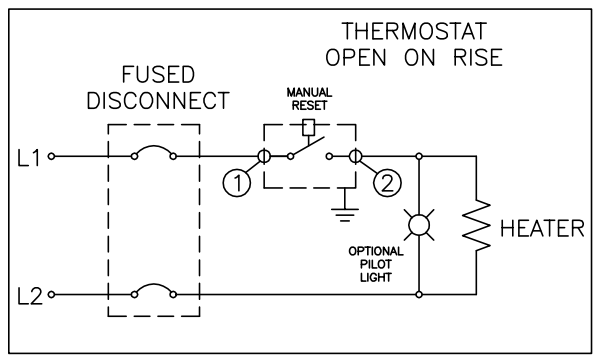
WARNING: WIRE INSULATION RATING MUST BE SUITABLE FOR THE AMBIENT TEMPERATURE OF THE WIRING INSTALLATION. AMPACITY & VOLTAGE RATINGS SHOULD BE IN ACCORDANCE WITH NEC (NATIONAL ELECTRICAL CODE) & OTHER LOCAL REGULATIONS.

CAUTION DO NOT USE THE THERMOSTAT AS A POWER SWITCH. THERMOSTATS ARE NOT A FAIL SAFE DEVICE. USE AN APPROVED LIMIT CONTROL FOR SAFE OPERATION.

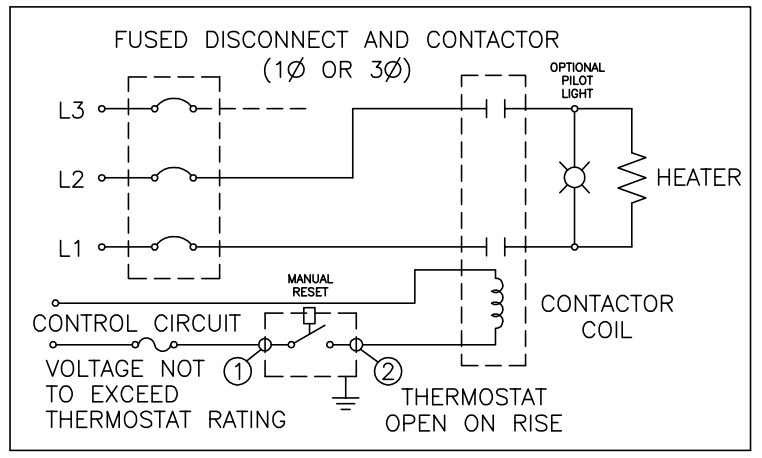
CAUTION WHEN IN DOUBT, CONSULT A PROFESSIONAL ELECTRICIAN OR CALL 800-323-6859.

- NOTES:**
1. MAXIMUM AMBIENT EXPOSURE OF THERMOSTAT BODY PER TABLE.
 2. MAXIMUM BULB EXPOSURE NOT TO EXCEED HIGH F RATING IN TABLE.
 3. MOUNTING SCREWS NOT TO PENETRATE CASE MOUNTING HOLES GREATER THAN 0.125 IN. TORQUE 10-12 IN./LBS.
 4. UL RECOGNIZED, CSA CERTIFIED.
 5. WHEN INSTALLING TEMPERATURE SENSING BULB, AVOID BENDS OR KINKING OF THE CAPILLARY TUBE.

TYPICAL CIRCUIT WHEN VOLTAGE AND/OR LINE CURRENT DOES NOT EXCEED RATINGS



CIRCUIT IF LINE VOLTAGE AND/OR CURRENT EXCEEDS THERMOSTAT RATING



MANUAL RESET - FIXED SET POINT

TITLE: WIRING INSTRUCTIONS HI-LIMIT MANUAL RESET THERMOSTAT STYLE F			
DRAWN BY: CBK	APPROVED: GDS	REV. 7	DATE: 8/1/05
DRAWING NUMBER: IDP-119-104			

TEMPCO.
630.350.2252 WWW.TEMPCO.COM

TEMPCO Electric Heater Corporation
607 N. Central Ave.
Wood Dale, IL 60191-1452 U.S.A.
Email: info@tempco.com