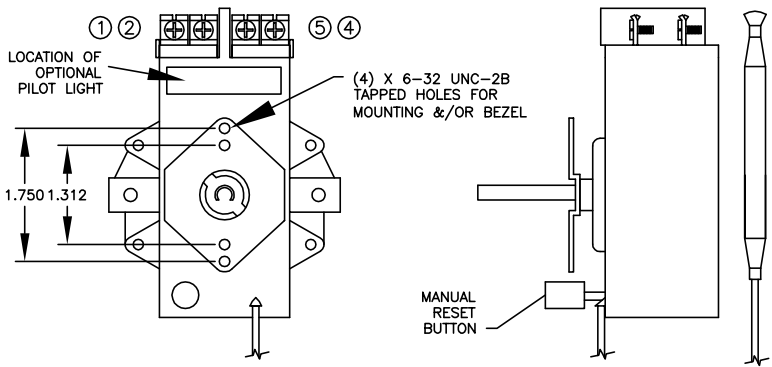


PROPRIETARY AND CONFIDENTIAL: THIS DRAWING AND THE INFORMATION WITHIN ARE PROPRIETARY TO TEMPCO ELECTRIC HEATER CORPORATION AND ARE ISSUED IN STRICT CONFIDENCE ON THE CONDITION THAT THIS DRAWING AND ANY INFORMATION CONTAINED THEREIN SHALL NOT BE COPIED, USE FOR MANUFACTURE OR SALE, OR TRANSMITTED OR DISCLOSED TO A THIRD PARTY, IN WHOLE OR IN PART, WITHOUT THE PRIOR WRITTEN CONSENT OF TEMPCO ELECTRIC HEATER CORPORATION. REMOVING THIS DOCUMENT FROM TEMPCO WITHOUT TEMPCO'S WRITTEN CONSENT IS PROHIBITED. TEMPCO ELECTRIC HEATER CORPORATION. ALL RIGHTS RESERVED.

ECO #	NO.	REVISION	DATE	BY
-------	-----	----------	------	----

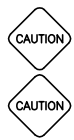
TST-110-	LOW F	HIGH F	UL RATED V	UL A @ RATED V	CSA RATED V	CSA A @ RATED V	BULB LENGTH	BULB MAX. DIA.	CAPILLARY LENGTH	NOB
113	60	250	277	30	125/250	30/25	4.5	0.375	72	TST-104-103
127	60	250	277	30	125/250	30/25	4.5	0.375	18	TST-104-103
128	60	250	277	30	125/250	30/25	4.5	0.375	24	TST-104-103
129	60	250	277	30	125/250	30/25	4.5	0.375	36	TST-104-103

NOTE: THERMOSTAT TERMINALS MARKED 3 & 6 ARE NOT EXTERNAL CONNECTION POINTS



WARNING: HAZARD OF ELECTRIC SHOCK. INSTALLATION MUST BE GROUNDED TO EARTH TO AVOID SHOCK HAZARD. DISCONNECT POWER TO INSTALLATION BEFORE SERVICING OR INSTALLING THERMOSTAT.

WARNING: WIRE INSULATION RATING MUST BE SUITABLE FOR THE AMBIENT TEMPERATURE OF THE WIRING INSTALLATION. AMPACITY & VOLTAGE RATINGS SHOULD BE IN ACCORDANCE WITH NEC (NATIONAL ELECTRICAL CODE) & OTHER LOCAL REGULATIONS.



DO NOT USE THE THERMOSTAT AS A POWER SWITCH. THERMOSTATS ARE NOT A FAIL SAFE DEVICE. USE AN APPROVED LIMIT CONTROL FOR SAFE OPERATION.

WHEN IN DOUBT, CONSULT A PROFESSIONAL ELECTRICIAN OR CALL 800-323-6859.

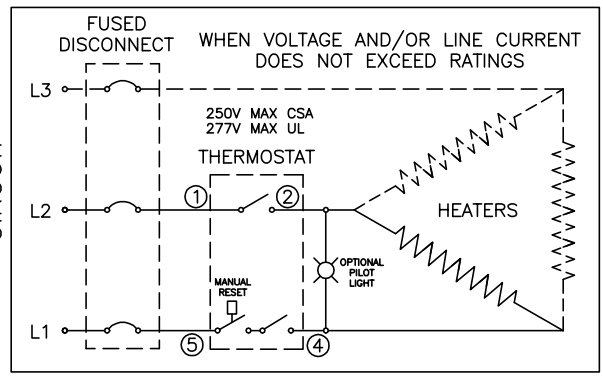
NOTES:

1. SHAFT ROTATION IS CLOCKWISE TO INCREASE TEMPERATURE.
2. MAXIMUM AMBIENT EXPOSURE OF THERMOSTAT BODY PER TABLE.
3. MAXIMUM BULB EXPOSURE NOT TO EXCEED HIGH F RATING IN TABLE.
4. UL RECOGNIZED, CSA CERTIFIED.
5. WHEN INSTALLING TEMPERATURE SENSING BULB, AVOID BENDS OR KINKING OF THE CAPILLARY TUBE.
6. THIS TYPE THERMOSTAT HAS AN "OFF" POSITION.
7. TO RESET S'TAT W/MANUAL RESET: ROTATE CLOCKWISE TO SET TEMPERATURE & PRESS RESET BUTTON TO START SYSTEM - ANY TIME DIAL HAS ALSO BEEN TURNED TO THE OFF POSITION OR BELOW SET POINT.
8. INSTALL PILOT LAMP ONLY WITH THE #6-32 X 3/8" LG SCREW SUPPLIED

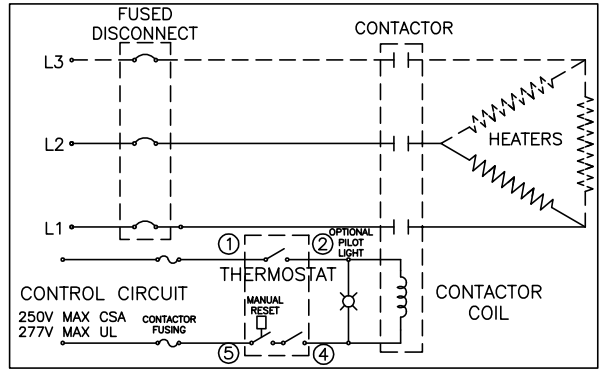
OPTIONAL ACCESSORIES AVAILABLE:

- CHROME PLATED FRONT BEZEL - P/N TST-111-101, W/(2) SCW-106-102 MOUNTING SCREWS (6-32 X 5/16" LG)
- PILOT LAMP - P/N EHD-109-103, W/(1) SCW-106-104 MOUNTING SCREW (6-32 X 3/8" LG) USABLE ON 120V TO 480V CONTROL CIRCUITS

1Ø OR 3Ø TYPICAL CIRCUIT



1Ø OR 3Ø CIRCUIT IF LINE VOLTAGE AND/OR CURRENT EXCEEDS THERMOSTAT RATING



TITLE:				
WIRING INSTRUCTIONS DOUBLE POLE SINGLE THROW THERMOSTAT STYLE C				
DRAWN BY:	APPROVED:	REV.	DATE:	DRAWING NUMBER:
CBK	GDS	8	3/23/05	IDP-119-106

**TEPCO.**  
630.350.2252 WWW.TEMPCO.COM

TEPCO Electric Heater Corporation  
607 N. Central Ave.  
Wood Dale, IL 60191-1452 U.S.A.  
Email: info@tempco.com