

### Power Input

**Standard:** 90 - 264 VAC, 50/60 Hz, 5VA

### Signal Input

**Accuracy:**  $\pm 1.0\%$  of full scale at 77°F/25°C

**Thermocouple:** Type J or K

**RTD:** 3-wire Pt100 DIN or JIS

**Sampling Rate:** 3 samples per second

**Cold Junction Compensation:**  $\pm 0.1^\circ\text{C} / 1^\circ\text{C}$

**Common Mode Rejection Ratio (CMRR):** 120 dB

**Normal Mode Rejection Ratio (NMRR):** 60 dB

**Sensor Break Protection:** Upscale

### Output

**Relay Rating:** 240 VAC, 5 Amp

**SSR drive:** Pulsed DC, 20 V at 20 mA maximum

**Current:** 4 - 20 mA, 0 - 20 mA, maximum load: 500 $\Omega$

**Voltage:** 0 - 10 VDC, minimum load: 500K $\Omega$

### Control

**Proportional Band:** 2.2% of span

**ON-OFF Hysteresis:** 1% of span

**Cycle Time:** 20 seconds for relay output, 1 second for pulsed voltage output, 0.02 second for linear current or voltage output

**Control Action:** Reverse Action

### Approval Standards

**Safety Standards:** EN61326

**Protective Class:** Front panel: IP 30

Housing and Terminals: IP 20

### Adjustment

**Setpoint:** Single turn wirewound potentiometer

**Manual Reset:** Adjustable up to 2.6% of span

**Setpoint Resolution:** 0.2% of span

**Accuracy of Setpoint:**  $\pm 2\%$  of span

**Repeatability of Setpoint:**  $\pm 0.1\%$  of span

### Alarm

**Type:** Deviation  $\pm 10\%$  of span **Relay:** 2A / 240 VAC

### Display

**Process Indicator:** 3-1/2 digit, 0.4" / 10 mm red LED display

**Output Status Indicator:** Red LED lamp

**Alarm Status Indicator:** Red LED lamp

### Environmental and Physical

**Operating Temperature:** 32 to 122°F (0 to 50°C)

**Humidity:** 0 to 90% RH, non-condensing

**Dielectric Strength:** 2000 VAC, 50/60 Hz for 1 minute

**Vibration:** 10 - 55 Hz, amplitude 1mm

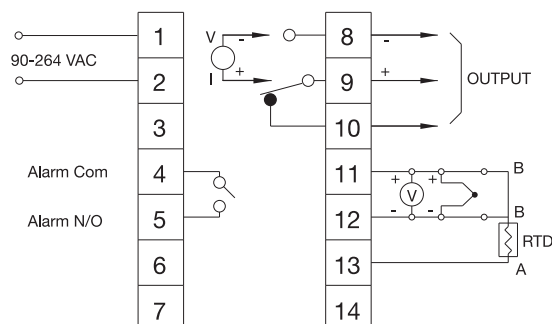
**Shock:** 200 m/s<sup>2</sup> (20g)

**Dimensions:** 2-27/32  $\times$  2-27/32  $\times$  3" (72  $\times$  72  $\times$  78 mm) H $\times$ W $\times$ D  
Depth behind panel: 2-9/16" (65 mm)

**Panel Cutout:** 2-11/16"  $\times$  2-11/16" (68  $\times$  68 mm) H $\times$ W

**Weight:** 0.53 lb. (240 grams)

### Rear Terminal Connections



### Stock and Common Part Numbers

(Power Input: 90-264 VAC, Proportional mode)

Part Number	Signal Input	Range	Output	Alarm
TEC43401	J tc	50-850°F	relay	none
TEC43402	J tc	50-550°F	relay	none
TEC43403	K tc	50-850°F	relay	none
TEC43404	K tc	50-550°F	relay	none
TEC43405	J tc	50-850°F	relay	relay
TEC43406	K tc	50-850°F	relay	relay
TEC43407	RTD	50-550°F	relay	none
TEC43408	RTD	50-550°F	relay	relay
TEC43409	J tc	0-300°C	relay	none
TEC43410	J tc	0-600°C	relay	none
TEC43411	J tc	0-300°C	relay	relay
TEC43412	K tc	0-300°C	relay	none
TEC43413	K tc	0-600°C	relay	relay
TEC43414	RTD	0-300°C	relay	none
TEC43415	RTD	0-600°C	relay	relay