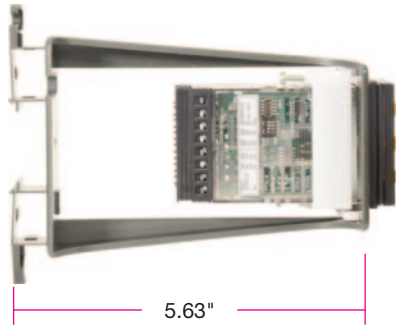


DIN Rail/Surface Mount Adapter for 1/16 DIN Controls

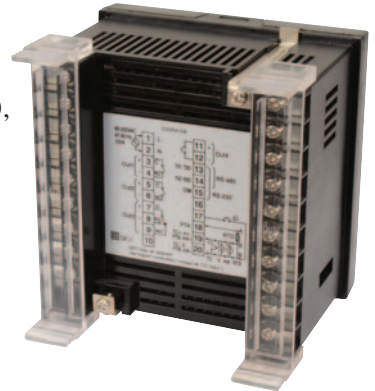


Cutout for Control – 45 mm/1.772" square
Maximum DIN Control Depth – 120 mm/4.72"
Material – Fire Retardant Polycarbonate GE Lexan® 940
Part Number: TEC99920

Polycarbonate Touchsafe Terminal Covers

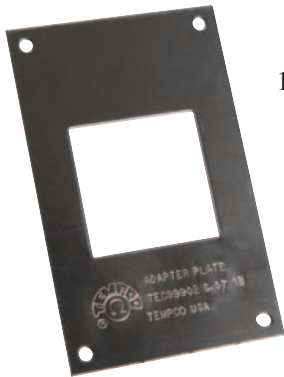


Part Number: TEC99921 (sold per piece)
1/8 and 1/4 DIN – Fits Controller Models:
 TEC-8100, TEC-8300, TEC-805, TEC-4100,
 TEC-4300, TEC-401, TEC-402, TEC-404,
 TEC-405, TEC-4500

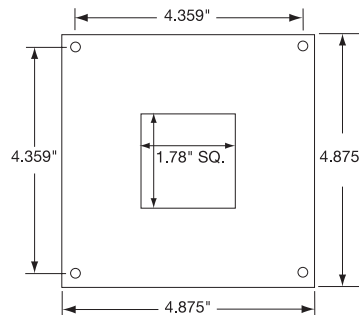


Part Number: TEC99922 (sold per piece)
1/16 DIN – Fits Controller Models:
 TEC-9090, TEC-910, TEC-920,
 TEC-901, TEC-902, TEC-905

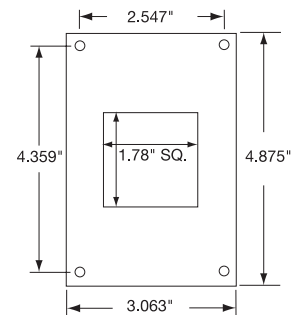
Adapter Plates



18 gauge Stainless Steel Adapter Plates
 with (4) #8 self-tapping sheet metal
 screws for mounting

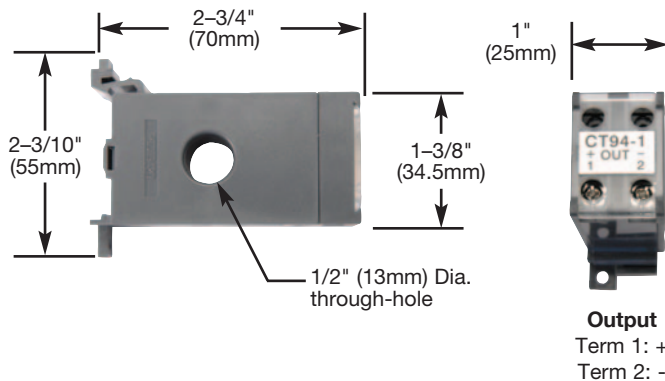


TEC99901
 Adapts a 1/4 DIN cut-out
 to a 1/16 DIN cut-out.



TEC99902
 Adapts a 1/8 DIN cut-out
 to a 1/16 DIN cut-out.

Model TEC 99999 Current Transformer/Transducer for use with Heater Break Alarm



Design Features

- * High Accuracy: $\pm 2\%$ of Reading $\pm 0.2A$
- * Wide Measuring Range: 0 – 50 Amps AC
- * DC Voltage Output: 0 – 5 VDC
- * 35 mm DIN Rail Mount or Surface Mount
- * 7/16" (12.5mm) diameter maximum cable size



Note:

1 required for 1 Phase — 50A Max.
 3 required for 3 Phase — 100A Nominal Max.

TEC Accessories

Data Communication Accessories

TEC99001 — Smart Network Adapter for third party SCADA software which converts 255 channels of RS-485 or RS-422 to RS-232 Network.

TEC99003 — Smart Network Adapter for connecting the TEC controller's programming port to the RS-232 PC serial port. Allows downloading and reading of configuration information directly from a personal computer. Can be used with TEC-220, TEC-410, TEC-910, TEC-920, TEC-2500, TEC-4100, TEC-4300, TEC-4500, TEC-7100, TEC-8100, TEC-8300, TEC-9100, TEC-9300, TEC-9500 and TBC-41.

TEC99030 — "Tempco Config Set" PC software for use with TEC99003 Smart Network Adapter

Minimum Requirements

System: IBM PC compatible computer with Intel Pentium IV or above

Operating System: Microsoft Windows XP or above

Memory: 256 MB

Hard Disk: 50 GB Free Space on the hard disk

Communication Ports: RS232, RS485 or USB Port

Note: Can be downloaded at no charge from www.tempco.com

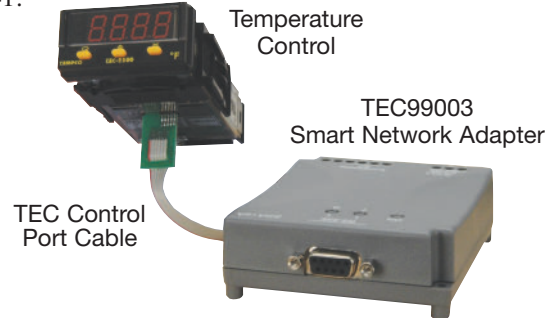
Programming Port Cables

TEC99011 — Used for models TEC-220, TEC-4100, TEC-7100, TEC-8100 and TEC-9100.

TEC99012 — Used for model TEC-920 only.

TEC99013 — Used for models TEC-2500, TEC-4300, TEC-8300 and TEC-9300.

TEC99014 — RS-232 interface cable for models TEC-220, TEC-410, TEC-2500, TEC-4100, TEC-4300, TEC-4500, TEC-8100, TEC-8300, TEC-9100, TEC-9300, TEC-9500 and TBC-41.



Part Number TEC99927 — Converter Connects RS232/RS422/RS485 Devices To PC Via USB Port

Part Number TEC99928 — Converter Connects RS422/RS485 Devices To PC Via USB Port



Part Number TEC99927

Design Features

- * Ideal for interfacing with TEC controllers, PPR chart recorders, PLCs, and general protocol conversion to a USB port
- * Full-Speed USB operation at up to 12 Mbps
- * Additional I/O or IRQ not required
- * Serial transmission speed up to 921.6 Kbps
- * 64-byte FIFO and built-in hardware and software flow control
- * Built-in 15 KV ESD protection
- * Support for RS-232, RS-422, 2-wire RS-485, and 4-wire RS-485
- * Terminal block adapter



Part Number TEC99928

Specifications TEC99927

USB

Version: 900/1800 MHz, dual band

Connector: USB type B

Speed: 12 Mbps

Serial Interface

Number of Ports: 1

RS-232: Tx/D, Rx/D, RTS, CTS, DTR, DSR, DCD, GND

RS-422: Tx/D+(B), Tx/D-(A), Rx/D+(B), Rx/D-(A), GND

RS-485: 4-wire: Tx/D+(B), Tx/D-(A), Rx/D+(B), Rx/D-(A), GND
2-wire: Data+(B), Data-(A), GND

Connector: Male DB9

FIFO: 64 bytes

Serial Line Protection: 15 KV ESD for all signals

Serial Communications Parameters

Parity: None, Even, Odd, Space, Mark

Data Bits: 5, 6, 7, 8

Stop Bits: 1, 1.5, 2

Flow Control: RTS/CTS, XON/XOFF

Speed: 50 bps to 921.6 Kbps

Power Requirements

Power Consumption: 30 mA@5 VDC

Mechanical

Dimensions: 37.5 × 20.5 × 60 mm (L × W × H)

Specifications TEC99928

Chipset: Silicon Laboratories CP2102

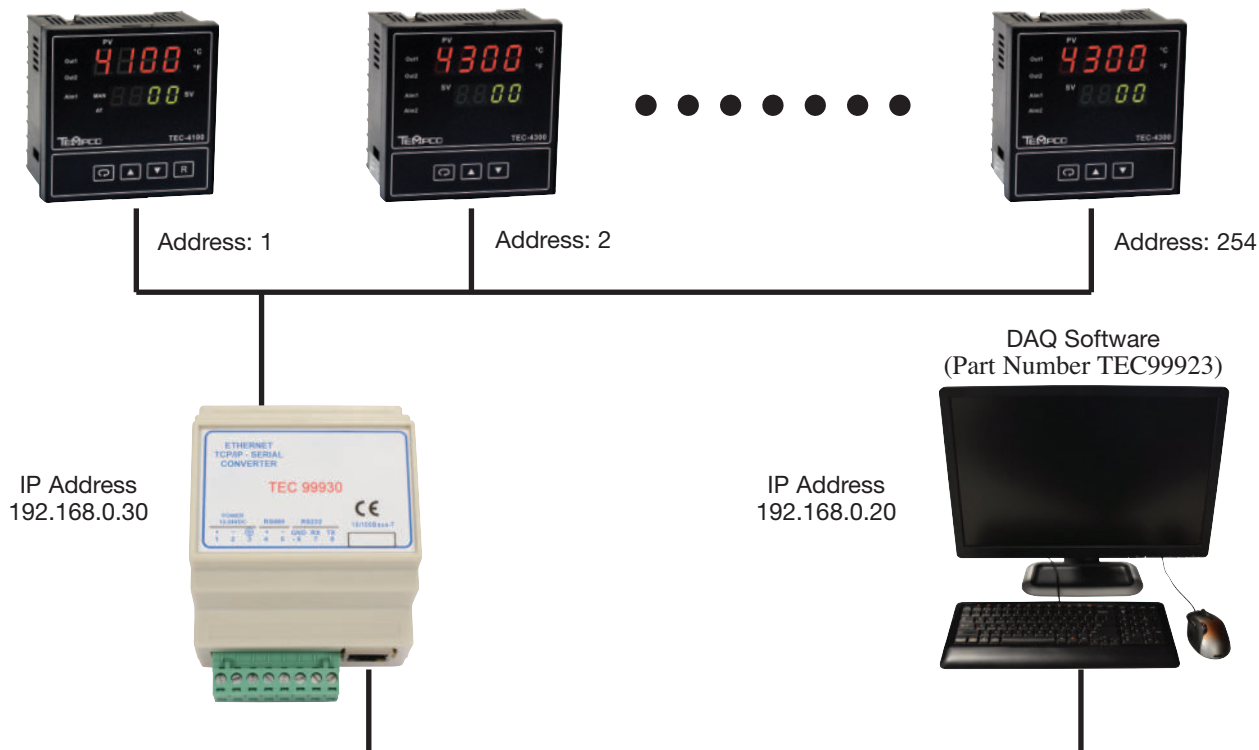
Compliant: USB 1.0, 1.1, 2.0

Connector: USB type A

Baud Rates: Full Speed 12 Mbps

RS232/485 To Ethernet Converter

Tempco Ethernet converter / Gateway is capable of linking any serial (RS-232 or RS485) devices to your computer network via Ethernet for remote access, control, and/or monitoring purposes. Works with Tempco electronics (controllers, data loggers, etc.) using our Data Acquisition Software (Part Number TEC99923).
Part Number TEC99930



Design Features

- * *Serial to Ethernet communication*
- * *DIN Rail/Panel Mount*
- * *COM1: RS232/RS485, RJ45 for Ethernet connectivity*
- * *Application: Connects IO modules, controllers, and HMIs to an Ethernet Network*
- * *Function: Transparent data link or Gateway to convert Modbus RTU to Modbus TCP messages*
- * *Supports Multiple sockets and enables up to 4 Masters to communicate with slaves connected to PC-E converter*
- * *Web server for Configuration*

Specifications

- Power Supply:** 90mA @ 10VDC / 40mA @ 26VDC
- Ethernet:** 10/100 Mbits, Connector RJ45
- Maximum Ambient Temperature:** 257°F/ 125°C
- Serial:** RS232, 3 Wire, TX, RX & GND
 RS485, 2 Wire Multi drop twisted pair
 Baud Rate 2400, 4800, 9600, 19200, 38400, 57600, 115200
 Communication Settings Data Bits: 5, 6, 7, 8
 Parity None, Even, Odd
 Stop Bits 1, 2
- Operating Temperature:** -10°C to + 50°C
- Storage Temperature:** -40°C to + 85°C
- Connectors:** Power and Communication: 8 way screw connector
- Protection Class:** IP20
- Humidity:** Up to 95% non-condensing