

Quick Disconnect Plugs: Type P1, Type P2, Type P3 and Type P4

Available on any construction or clamping variation. These plug assemblies are highly recommended & should be used whenever possible. The combination of plug & cup assembly along with armor cable covered leads eliminates all live exposed terminals or wiring that can be a potential hazard to employees or machinery.

Type P1 and P3 assemblies are available with a straight or right-

angle plug. Type P2 and P4 plug assemblies have a lower profile and are available with a straight plug only.

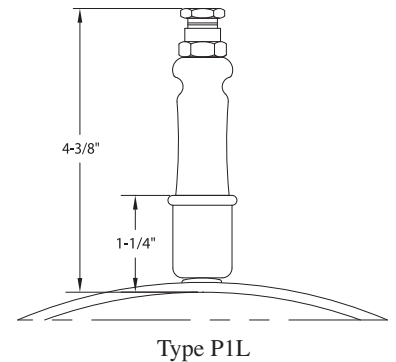
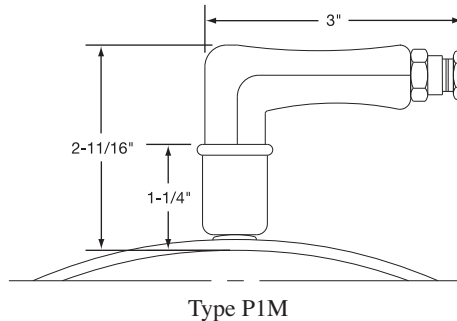
To simplify installation, band heaters with these assemblies can be supplied pre-wired, using high temperature lead wires.

The standard leads are 10" of armor cable over 12" of flexible leads. *If longer leads are required, specify when ordering.*

Duraband® Type P1 – Quick Disconnect Plugs

Type P1 □

- P1K** – Cup assembly only
- P1L** – w/straight plug only
- P1M** – w/90° plug only
- P1N** – w/str. plug & galvanized cable
- P1O** – w/str. plug & SS cable
- P1P** – w/str. plug & wire braid
- P1Q** – w/90° plug & galvanized cable
- P1R** – w/90° plug & SS cable
- P1S** – w/90° plug & wire braid



Plug Electrical Ratings

- * 2-Pole 3-Wire Grounding
- * Maximum Volts: 250 VAC
- * Maximum Amps: 16A
- * Maximum Temperature: 392°F (200°C)

One-Piece Band

Standard Termination Location:
next to gap; center of width

- * **Minimum Inside Diameter:** 2" (50.8 mm)
- * **Minimum Width:** 1-1/2" (38.1 mm)
If width is between 1-1/2" and 2",
minimum diameter is 5-1/2".
If width is greater than 2", minimum
diameter is 2".

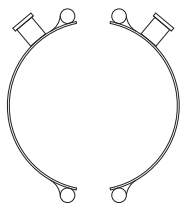
Type P1Q shown



Two-Piece Band

Standard Termination Location:
next to same gap on each half;
center of width

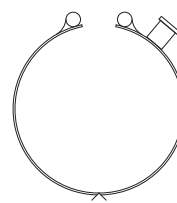
- * **Minimum Inside Diameter:** 2" (50.8 mm)
- * **Minimum Width:** 1-1/2" (38.1)
If width is between 1-1/2" and 2",
minimum diameter is 5-1/2".
If width is greater than 2", minimum
diameter is 2".



One-Piece Expandable Band

Standard Termination Location:
next to gap; center of width

- * **Minimum Inside Diameter:**
2-1/2" (63.5 mm)
- * **Minimum Width:** 1-1/2" (38.1 mm)
If width is between 1-1/2" and 2",
minimum diameter is 5-1/2".
If width is greater than 2", minimum
diameter is 2".



CONTINUED →