

## Bimetal Dial Thermometers

### Bimetal Dial Thermometers for Industrial Applications

#### Typical Applications

- ➔ Oil, Gas & Petrochemical
- ➔ Waste Water
- ➔ Pharmaceutical
- ➔ Compost
- ☐ ➔ Food & Beverage
- ☐ ➔ Military
- ☐ ➔ Paper and Pulp
- ☐ ➔ Dairy
- ☐ ➔ Mining
- ☐ ➔ Power Generation
- ☐ ➔ Utilities
- ☐ ➔ Refrigeration
- ☐ ➔ Marine
- ☐ and Many More !!!

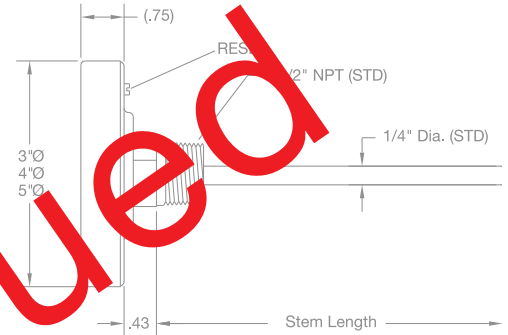
Bimetal Dial Thermometers are ideal for when you need a simple, "local" temperature display.

Tempco offers 2 styles: Backmounted and Adjustable Angle, each available with either 3" or 5" dials.

#### Backmounted Bimetal Dial Thermometers

##### Design Features

- \* All Stainless Steel Construction
- \* Hermetically Sealed (ASME B40.3)
- \* Accurate to 1% of Full Scale
- \* Standard External Reset
- \* Silicone Fillable for Vibration Resistance
- \* 1/2" NPT Connection Standard
- \* Selected 3" and 5" Dial Thermometers Available from Stock



#### Backmounted Bimetal Dial Thermometers Standard Sizes and Ranges 1/2" NPT Connection Standard

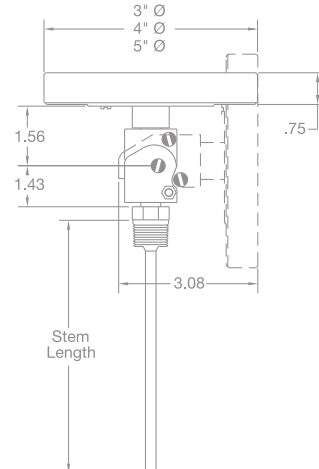
Dial Dia. (in)	Stem Length (in)	Part Number by Temperature Range					
		-40 to 160°F	0 to 100°F	0 to 200°F	0 to 250°F	50 to 300°F	50 to 550°F
3	2.5	BMT10001	BMT10004	BMT10007	BMT10010	BMT10013	BMT10016
	4	BMT10002	BMT10005	BMT10008	BMT10011	BMT10014	BMT10017
	6	BMT10003	BMT10006	<b>BMT10009</b>	BMT10012	BMT10015	BMT10018
5	2.5	BMT10019	BMT10022	BMT10025	BMT10028	BMT10031	BMT10034
	4	BMT10020	BMT10023	BMT10026	BMT10029	<b>BMT10032</b>	BMT10035
	6	BMT10021	BMT10024	BMT10027	BMT10030	BMT10033	BMT10036

Stock Items Are Shown In RED

#### Adjustable Angle Bimetal Dial Thermometers

##### Design Features

- \* Complete 180° Adjustability
- \* 360° Case Rotation
- \* All Stainless Steel Construction
- \* Hermetically Sealed (ASME B40.3)
- \* Accurate to 1% of Full Scale
- \* Standard External Reset
- \* Silicone Fillable for Vibration Resistance
- \* 1/2" NPT Connection Standard
- \* Selected 3" and 5" Dial Thermometers Available from Stock



**CONTINUED** →