

Power Input

Standard: 90-250 VAC, 47-63 Hz, 10 VA, 5W maximum
Optional: 11-26 VAC / VDC, 10 VA, 5W maximum

Signal Input

Resolution: 18 bits **Sampling Rate:** 5 samples / second
Accuracy: ±.24% of span typical
Maximum Rating: -2 VDC minimum, 12 VDC maximum (1 minute for mA input)
Temperature Effect: ±1.5 $\mu\text{V} / ^\circ\text{C}$ for all inputs except mA input ±3.0 $\mu\text{V} / ^\circ\text{C}$ for mA input
Sensor Lead Resistance Effect: T/C: 0.2 $\mu\text{V}/\text{ohm}$
 3-wire RTD: 2.6 $^\circ\text{C}/\text{ohm}$ of resistance difference of two leads
Burn-out Current: 200nA
Common Mode Rejection Ratio (CMRR): 120 dB
Normal Mode Rejection Ratio (NMRR): 55 dB
Sensor Break Detection: Sensor open for TC, RTD and mV inputs; sensor short for RTD input; below 1 mA for 4-20 mA input; below 0.25V for 1-5V input; unavailable for other inputs
Sensor Break Response Time: Within 4 seconds for TC, RTD and mV inputs; 0.1 second for 4-20 mA and 1-5 V inputs

Output 1 / Output 2

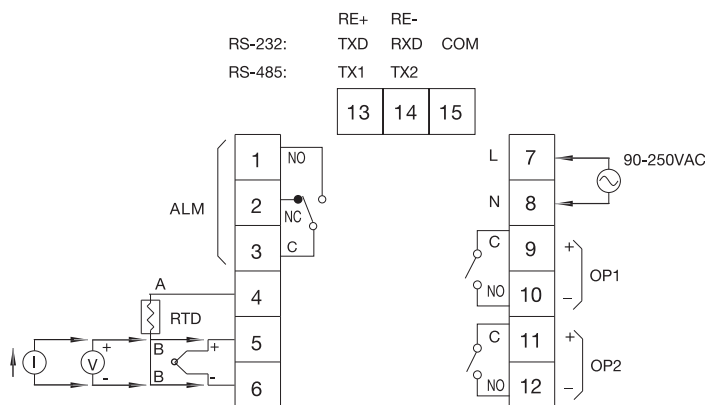
Relay Rating: 240 VAC, 2 Amp
Pulsed Voltage: Source voltage 5V, Current limiting resistance 66 Ω

Linear Output — Characteristics

Type	Zero	Span	Load
Tolerance	Tolerance	Capacity	
4-20 mA	3.6-4.0 mA	20-21 mA	500 Ω max
0-20 mA	0 mA	20-21 mA	500 Ω max
0-5 VDC	0 VDC	5-5.25 VDC	10 K Ω min
1-5 VDC	0.9-1.0 VDC	5-5.25 VDC	10 K Ω min
0-10 VDC	0 VDC	10-10.5 VDC	10 K Ω min

Resolution: 15 bit analog to digital converter
Output Regulation: 0.02% for full load change
Output Settling Time: 0.1 sec. (stable to 99.9%)
Isolation Breakdown Voltage: 1000 VAC
Temperature Effect: ±0.01 % of span/ $^\circ\text{C}$
Solid State Relay (Triac) Output
Rating: 1A / 240 VAC
Inrush Current: 20A for 1 cycle
Min. Load Current: 50 mA rms
Max. Off-state Leakage: 3 mA rms
Max. On-state Voltage: 1.5 VAC rms
Insulation Resistance: 1000 Megohms minimum at 500 VDC
Dielectric Strength: 2500 VAC for 1 minute

Rear Terminal Connections



Output 2 / Alarm 1 — Programmable

Alarm 1 Relay: Form A, (NO)
 Maximum rating: 240 VAC, 2 Amp
Alarm Functions: Dwell timer
 Deviation High / Low Alarm
 Deviation Band High / Low Alarm
 Process High / Low Alarm
 Sensor Break Alarm
Alarm Mode: Normal, Latching, Hold, Latching / Hold
Dwell Timer: 0 - 4553.6 minutes

Data Communications

Interface: RS-232 (1 unit), RS-485 (up to 247 units)
Protocol: Modbus Protocol – RTU mode
Address: 1-247 **Baud Rate:** 0.3 - 38.4 Kbits/sec
Data Bits: 7 or 8 bits **Parity Bit:** None, Even or Odd
Stop Bit: 1 or 2 bits **Communication Buffer:** 160 bytes

User Interface

Dual 4-digit LED Display: 0.40" (10 mm) Red Process Display
 0.31" (8 mm) Green Setpoint Display

Keypad: 4 keys

Programming Port: For automatic setup, calibration and testing

Control Mode

Output 1: Reverse (heating) or direct (cooling) action
Output 2: PID cooling control, cooling P band 50-300% of PB, dead band -36.0 to 36.0% of PB
On-Off: 0.1 - 90.0 $^\circ\text{F}$ hysteresis control (P band = 0)
P or PD: 0 - 100.0% offset adjustment
PID: Fuzzy logic modified
Proportional band: 0.1 - 900 $^\circ\text{F}$
Integral time: 0 - 1000 seconds
Derivative time: 0 - 360 seconds
Cycle Time: 0.1 - 90 seconds
Manual Control: Heat (MV1) and Cool (MV2)
Auto-tuning: Cold start and warm start
Failure Mode: Auto-transfer to manual mode with sensor break or A-D converter damage
Ramping Control: 0 - 900 $^\circ\text{F}/\text{min}$ or 0 - 900 $^\circ\text{F}/\text{hr}$ ramp rate

Environmental and Physical

Operating Temperature: 14 to 122 $^\circ\text{F}$ (-10 to 50 $^\circ\text{C}$)
Humidity: 0 to 90% RH, non-condensing
Dielectric Strength: 2000 VAC, 50/60 Hz for 1 minute
Dimensions: 1-7/8 \times 1-7/8 \times 4-9/16" (48 \times 48 \times 116 mm) H \times W \times D
 Depth behind panel: 4-1/8" (105 mm)
Panel Cutout: 1-25/32 \times 1-25/32" (45 \times 45 mm) H \times W
Weight: 0.33 lb. (150 grams)

Approval Standards

Safety: UL61010C-1, EN61010-1 (IEC1010-1)
EMC: EN61326
Protective Class: Front Panel: IP50, optional NEMA 4X/IP65
 Housing and Terminals: IP 20

Stock and Common Part Numbers

(Power Input: 90-250 VAC, no data com, no NEMA 4X)

Part Number	Signal Input	Output 1	Output 2	Alarm
TEC14001	tc	relay	relay	none
TEC14002	tc	relay	none	none
TEC14003	tc	relay	none	relay
TEC14004	tc	4-20 mA	none	none
TEC14005	RTD	relay	none	none
TEC14006	RTD	relay	none	relay
TEC14007	RTD	DC pulse	none	none
TEC14008	RTD	DC pulse	none	relay