

Encapsulated Temperature Controller

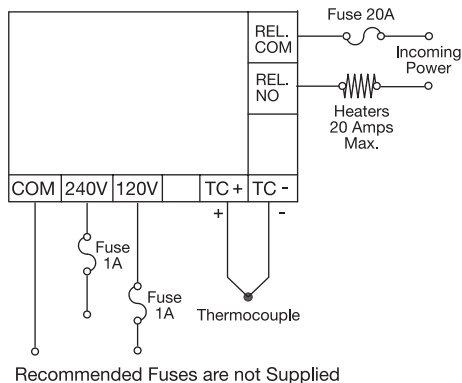
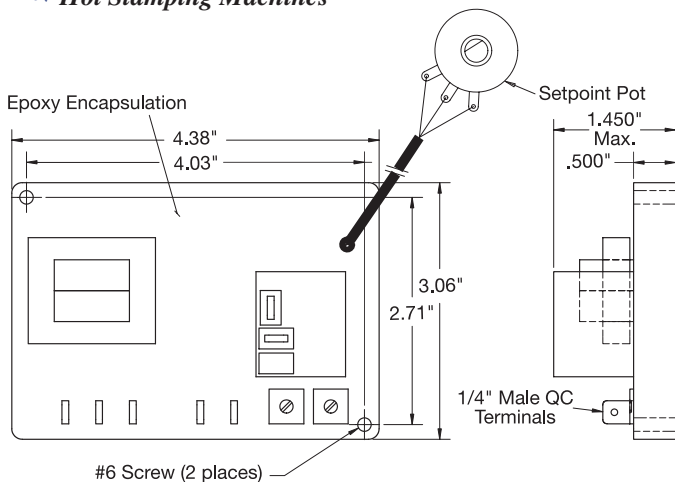
Series TKZ Encapsulated Temperature Controller

Shown with
Optional Dial & Knob
with 24" Cord Length



Typical Applications

- Appliances
- Commercial Cooling
- Cooking Equipment
- Environmental Chambers
- Gas Analyzers
- Hot Stamping Machines
- Laboratory Baths
- Packaging Machines
- Refrigerators and Freezers
- Water Heaters



Tempco's Series TKZ temperature controllers' small size and low cost make them ideal for OEM applications or thermostat replacement requiring the accuracy, reliability and versatility only available in an electronic control. The control incorporates highly reliable state-of-the-art analog electronic circuitry in a very economical open board, potted design.

Design Features

- * The Encapsulated Design allows for use in areas of high humidity and components are less likely to be damaged in handling
- * 1/4" Quick Disconnect terminals make installation a snap
- * Heavy duty 30 Amp (UL rated 20 Amp) relay output
- * Compact footprint can easily fit into most commercial or industrial equipment: 3.625" x 2.625" (92 x 67 mm)
- * 120/240VAC Field Selectable
- * Local, remote or fixed setpoint

Specifications

- Power Input:** 120/240 VAC $\pm 10\%$, 50/60 Hz
- Control Output:** 30 Amp SPST Relay, UL rated 20 Amp, rated for 100,000 cycles
- Control Mode:** On-Off with 4° hysteresis typical; contact factory for other hysteresis values
- Cold Junction Compensation:** Automatic
- Sensor Fault Protection:** Output de-energizes (contacts open) on thermocouple break
- Ambient Operating Temperature:** 0 to 70°C
- Field Wiring Terminals:** .250" male quick connects
- Agency Approvals:** UL and C-UL Recognized

Stock Controllers

All controls listed below have 120/240 input voltage, remote setpoint with 24" leads and a 30 Amp (UL rated 20 Amp) relay output.

Part Number	Signal Input	Dual Range
TKZ10001	J tc	32 to 500°F/0-260°C
TKZ10002	J tc	32 to 1000°F/0-550°C
TKZ10003	K tc	32 to 500°F/0-260°C
TKZ10004	K tc	32 to 1000°F/0-550°C
TKZ10205	K tc	32 to 175°F/0-80°C

Stock Dials and Knobs (Dual Range °C/°F)

Part Number	Dual Range
TKZ99001	32 to 500°F/0-260°C
TKZ99002	32 to 1000°F/0-550°C

Ordering Information

Choose a Part Number from the stock list.

Tempco also welcomes large volume OEM inquiries for TKZ controls built to your specific requirements (50 pc. minimum).

WARNING: Cancer and Reproductive Harm - www.P65Warnings.ca.gov.

View Product Inventory @ www.tempco.com