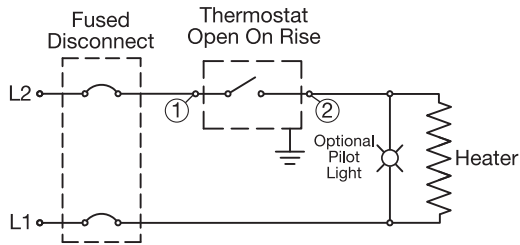
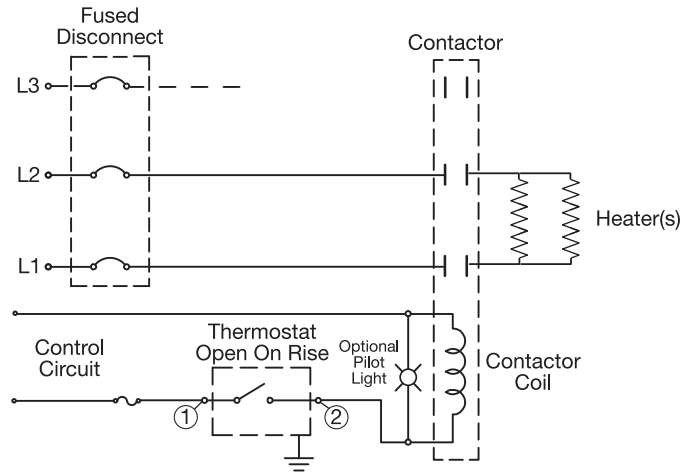


Thermostat Style D (Single Pole—Single Throw)

Typical circuit when voltage and/or line current does not exceed thermostat ratings

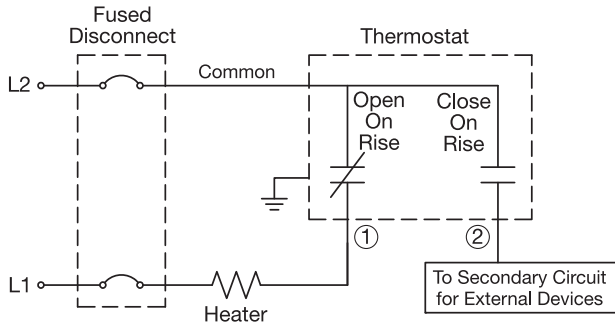


1Ø or 3Ø circuit if line voltage and/or current exceeds thermostat rating

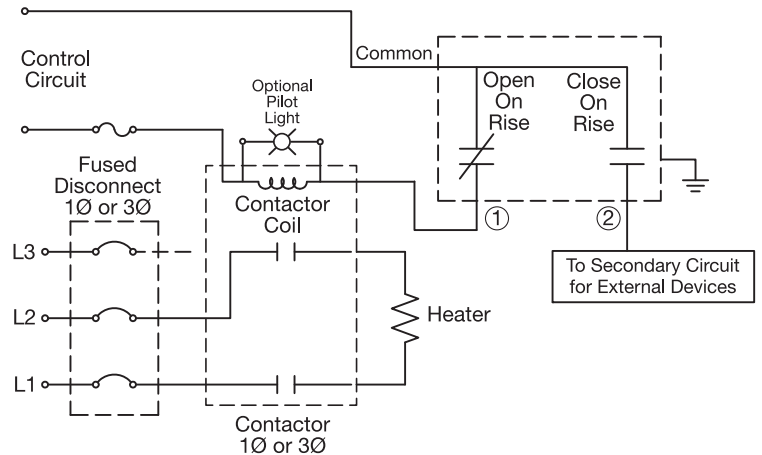


Thermostat Style D (Single Pole—Double Throw)

Typical circuit when voltage and/or line current does not exceed thermostat ratings



1Ø or 3Ø circuit if line voltage and/or current exceeds thermostat rating



Thermostat Installation Warnings & Recommendations

1. Do not use the thermostat as a power switch. Use some other means of disconnecting power to the heater for servicing.
2. Thermostats are not a fail-safe device. Use an approved high temperature limit control and/or pressure limit control for safe operation.
3. Avoid kinking or bending the capillary tube too sharply as this will alter the calibration and/or render the thermostat inoperable.
4. Excess capillary tube should be coiled neatly in junction box.
5. The capillary tube must never touch the thermostat contacts as this will create an electrical short capable of harming personnel and/or equipment.

Stock Thermostat Enclosures

Thermostats and accessories sold separately



NEMA 1 Enclosure
For Single-Pole Style A Thermostats

Size: 4-1/4"H x 3"W x 2"D with 3/4" trade size knockout
Part Number: **HSGR-1003**



NEMA 1 Enclosure

For Double-Pole Thermostats
Size: 6-1/2"H x 3-3/4"W x 2-1/2"D with 1/2" trade size knockout
Used with Style B Thermostats and Thermostat Kits TSTR-1008 and TSTR-1009 shown on page 13-77.

Part Number: **HSGR-1004**