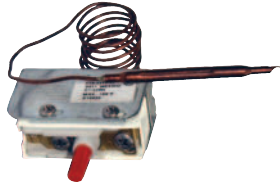


### Style F Temperature High Limit Switch with Manual Reset



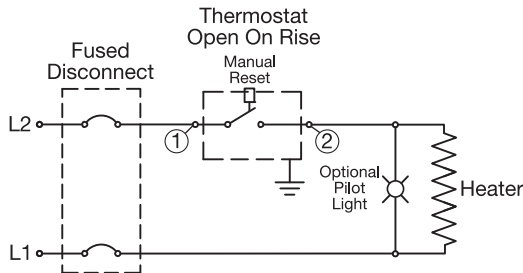
- \* General purpose high limit switch with manual reset
- \* Once fixed trip point is reached, the high limit switch will remain open until the manual reset button is pushed

**Thermostat Electrical Ratings: High Limit – Manual Reset, Normally Closed Contacts, Open on Temperature Rise at Fixed Temperature**

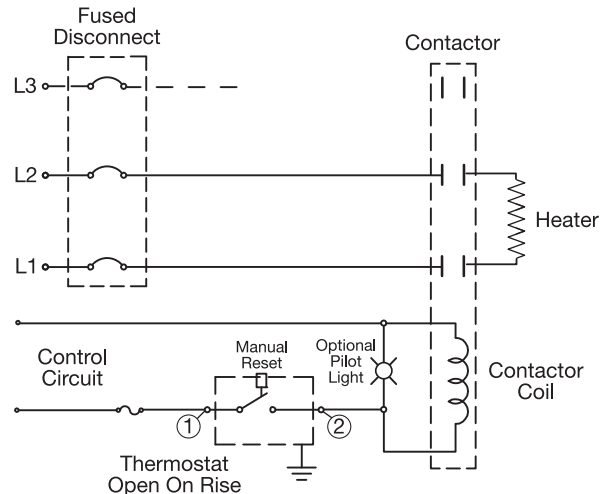
**Stock Items Are Shown In RED**

Control Type	Style	Temp Range °F	Ampacity at Line Voltage				Bulb Dia. in	Bulb Length in	Capillary Length in	Terminal	Thermostat Part Number	Instruction Sheet P/N
			120V	240V	277V	480V						
SPST	F1	118 ±3	30	30	20	20	0.32	3.00	12	#10 screw	TST-103-102	IDP-119-104
SPST	F1	118 ±4	30	30	20	20	0.27	3.35	6	#10 screw	<b>TST-103-109</b>	IDP-119-104
SPST	F1	125 ±2	30	30	20	20	0.25	3.35	36	#10 screw	<b>TST-103-108</b>	IDP-119-104
SPST	F1	165 ±15	30	30	20	20	0.21	2.63	30	#10 screw	TST-103-107	IDP-119-104
SPST	F1	200 ±5	30	30	20	20	0.31	4.00	12	#10 screw	TST-103-104	IDP-119-104
SPST	F1	350 ±8	30	30	20	20	0.25	3.50	36	#10 screw	<b>TST-103-103</b>	IDP-119-104
SPST	F2	420 ±15	30	30	30	30	0.25	4.85	30	#10 screw	TST-103-110	IDP-119-104
SPST	F1	572 ±15	30	30	30	20	0.21	2.63	30	#10 screw	TST-103-106	IDP-119-104

**NOTES:** F2 style has a side vertical mounting bracket instead of #8 tapped holes for mounting. Refer to IDP-119-104 for mounting details.



**Hi-Limit Thermostat Style F (Single Pole—Single Throw)**



### Thermowells (Stainless Steel or Plain Steel)

Welded thermowells provide simple protection for bulb and capillary sensors.

They are supplied with a 1/2" NPT male thread for mounting and a 3/8" NPT internal thread that can be used with the stuffing box assembly to secure the capillary to the well. ID: 0.50", OD: 0.56" See pages 14-76 through 14-83 for thermowells manufactured from bar stock.

Immersed Length in mm	Part Number	
	Steel	Stainless Steel
12	*MPT-120-101	*MPT-121-101
18	MPT-120-102	MPT-121-102
24	MPT-120-103	MPT-121-103
36	MPT-120-104	MPT-121-104

An \* indicates a stock item.

### Stuffing Box Assembly

The Stuffing Box Assembly is used to seal the thermostat capillary when the sensing bulb (3/8" max. OD) is immersed directly in a liquid rather than in a thermowell. The Stuffing Box consists of six slotted washers used to compress a graphite packing into a 3/8" NPT male pipe thread fitting.

#### Assembly Instructions

Feed sensing bulb through hole in upper and lower fitting. Insert washers and packing into top cavity of lower fitting. Upper fitting then screws into lower fitting, creating the seal.

**Part Number: TST-109-101**

