

# Temperature Sensing

## Industrial Thermocouple Assemblies



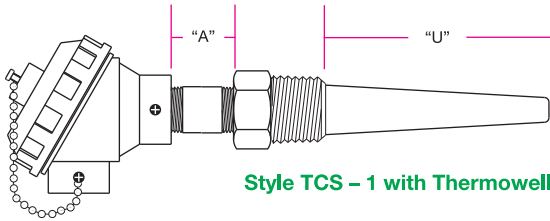
### Industrial Process Thermocouples



Tempco manufactures many styles of industrial thermocouple assemblies for a wide range of industries, from petrochemical to textile applications, where one or more protection tubes may be necessary to protect the thermocouple.

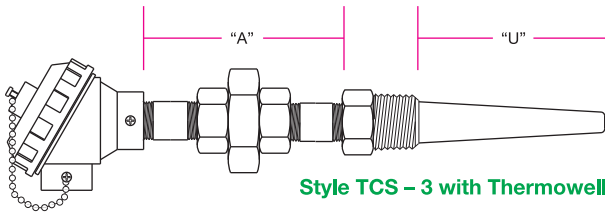
### Metal Protecting Tube Assemblies

### Thermowell Assemblies



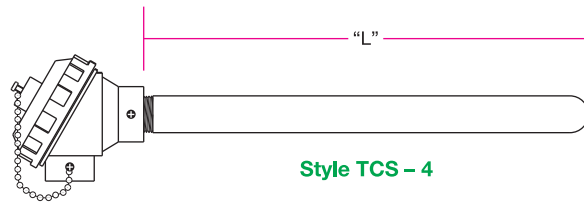
Style TCS - 1 with Thermowell

Thermocouple Head, Nipple, Thermowell

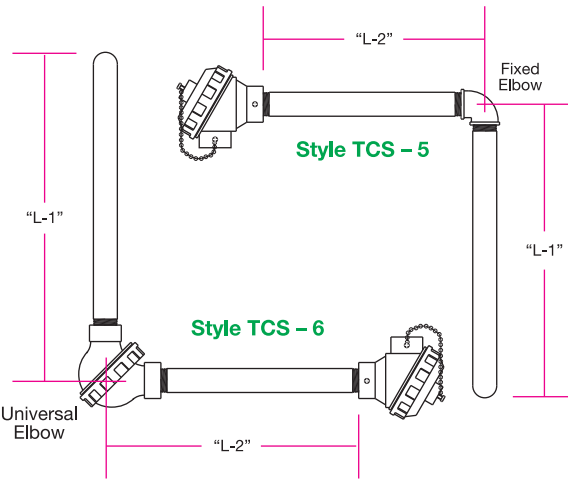


Style TCS - 3 with Thermowell

Thermocouple Head, Nipple, Union, Nipple, Thermowell



Style TCS - 4



Style TCS - 5

Style TCS - 6

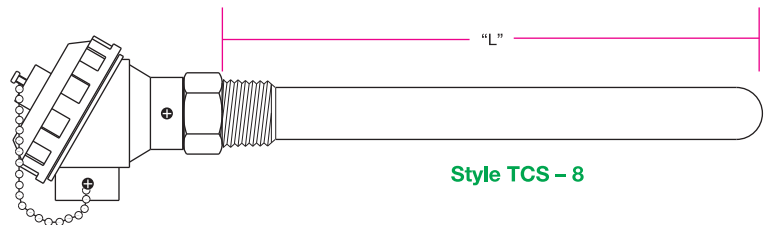
Thermocouple Head, Metal Protecting Tube

### Ceramic Tube Assemblies



Style TCS - 7

Thermocouple Head, Fixed Bushing, Ceramic Tube



Style TCS - 8

Thermocouple Head, Ceramic Tube