

OEM Replacement Thermocouples (Type J)

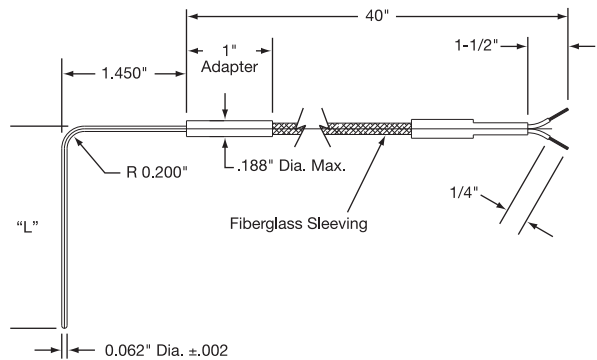
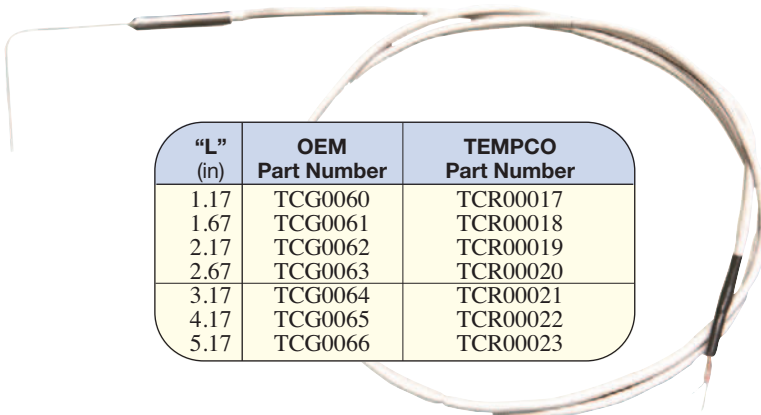
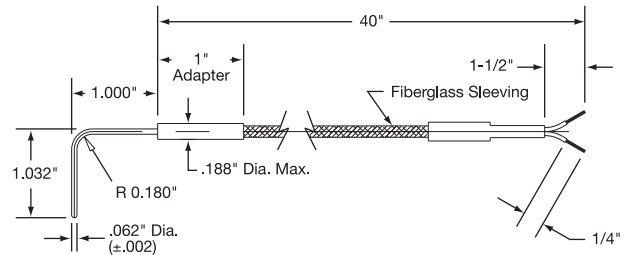
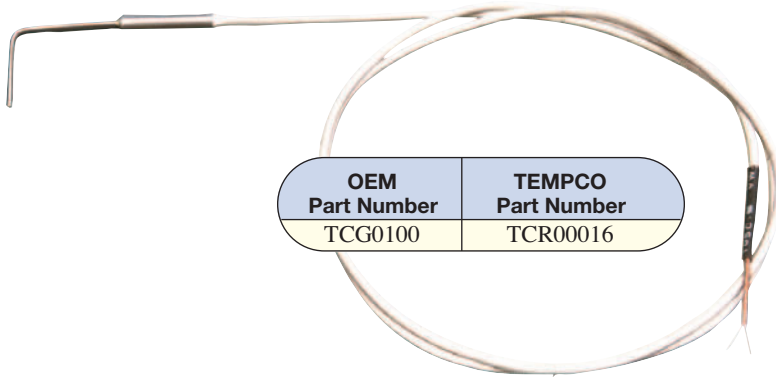
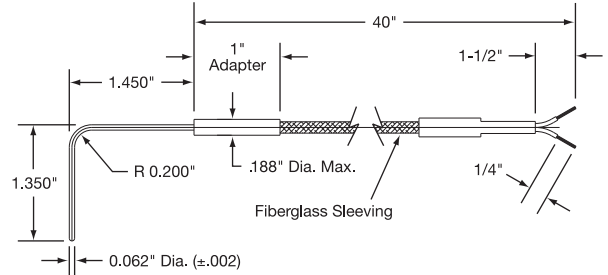
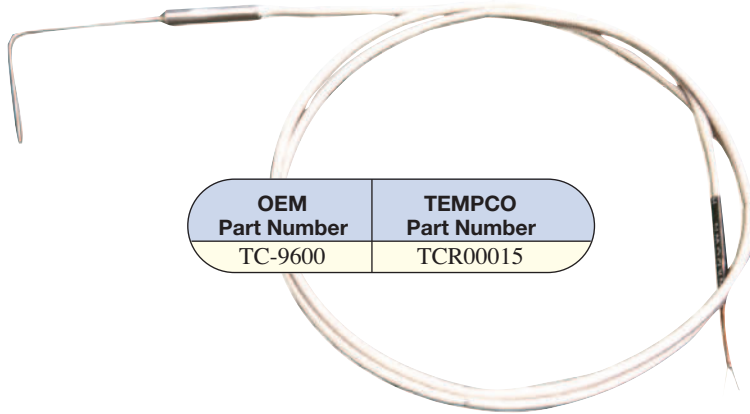
Specialty Application

The following **Runnerless Mold Thermocouples** are manufactured using Tempco's high quality, mineral insulated thermocouple wire "Tempco-Pak." The Tempco-Pak is .062" diameter 304 stainless steel sheathed, MgO insulated, ANSI Type J thermocouple wire.



Notes: All hot junctions are grounded.

The lead wire is ANSI Type "J" thermocouple grade with ANSI color-coded fiberglass insulation and an additional high temperature outer fiberglass sleeve. The transition area (potting adapter) between the Tempco-Pak and lead wire is potted with high temperature cement rated to 900°F (482°C).



All Items Available from Stock