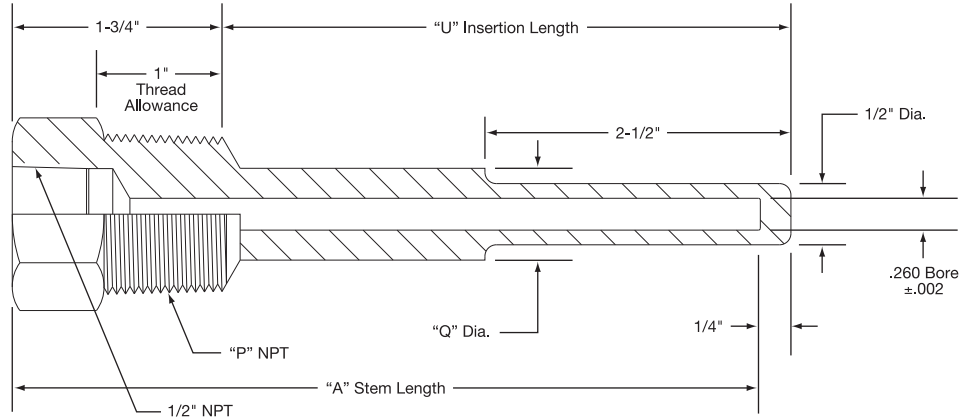


### Series 10 Stepped Shank with .260 Bore for 1/4" Diameter Elements

#### Standard Duty Threaded



#### Ordering Information

Complete the Part Number by filling in the box with the number designating the material.

- 1** = Steel
- 2** = Brass
- 3** = 316 Stainless Steel
- 4** = 304 Stainless Steel
- 5** = Monel

#### Standard Sizes

Part Number	External Thread "P"	Stem Length "A" (in)	Insertion Length "U" (in)	Shank Diameter "Q" (in)
TWL1011	1/2" NPT	4	2 1/2	—
TWL1012		6	4 1/2	3/8
TWL1013		9	7 1/2	5/8
TWL1014		12	10 1/2	5/8
TWL1015		15	13 1/2	5/8
TWL1016		18	16 1/2	5/8
TWL1018		24	22 1/2	5/8
TWL1021	3/4" NPT	4	2 1/2	—
TWL1022		6	4 1/2	3/4
TWL1023		9	7 1/2	3/4
TWL1024		12	10 1/2	3/4
TWL1025		15	13 1/2	3/4
TWL1026		18	16 1/2	3/4
TWL1028		24	22 1/2	3/4
TWL1031	1" NPT	4	2 1/2	—
TWL1032		6	4 1/2	7/8
TWL1033		9	7 1/2	7/8
TWL1034		12	10 1/2	7/8
TWL1035		15	13 1/2	7/8
TWL1036		18	16 1/2	7/8
TWL1038		24	22 1/2	7/8

#### Maximum Fluid Velocity, Feet Per Second

(See Velocity Ratings on page 14-76)

Well Type	Material	Insertion Length — "U" (in)							
		2 1/2	4 1/2	7 1/2	10 1/2	13 1/2	16 1/2	19 1/2	22 1/2
1/2" Series 10 and 15	Brass	207 (59.3)	75.5 (32.2)	27.3 (19.7)	13.9	8.4	5.6	4.1	3.0
	Carbon Steel	290 (106)	105 (59)	38.2 (36.3)	19.4	11.8	7.8	5.7	4.2
	A.I.S.I. 304 & 316	300 (148)	109 (82.2)	39.5	20.1	12.2	8.1	5.9	4.4
	Monel	261 (118)	95 (65.5)	34.4	17.5	10.5	7.1	5.2	3.8
3/4" Series 10 and 15	Brass	207 (59.3)	89.1 (39.8)	32.2 (23.9)	16.4	9.9	6.6	4.8	3.6
	Carbon Steel	290 (106)	123 (71.2)	44.9 (42.7)	22.8	13.8	9.3	6.7	4.9
	A.I.S.I. 304 & 316	300 (148)	128 (99.3)	46.4	23.6	14.3	9.6	6.9	5.1
	Monel	261 (118)	112 (79.8)	40.6	20.7	12.4	8.3	6.1	4.5
1" Series 10 and 15	Brass	207 (59.3)	102 (47.6)	37.0 (28)	18.8	11.4	7.6	5.5	4.1
	Carbon Steel	290 (106)	143 (84.3)	51.6 (50.6)	26.2	15.9	10.6	7.6	5.7
	A.I.S.I. 304 & 316	300 (148)	148 (117)	53.5	27.2	16.5	11.0	7.9	5.9
	Monel	261 (118)	128 (93.3)	46.7	23.7	14.4	9.5	6.9	5.1



**Note:** Where single values appear in table, thermowell may be considered safe for water, steam, air or gas. The values in parentheses in the shorter insertion lengths represent safe values for water flow, taking into consideration the velocity pressure effect of water flowing at higher velocities.

\* See Page 14-78 for Maximum Pressure — Temperature Ratings \*

**WARNING:** Cancer and Reproductive Harm - [www.P65Warnings.ca.gov](http://www.P65Warnings.ca.gov).

(800) 323-6859 • Email: [sales@tempco.com](mailto:sales@tempco.com)