

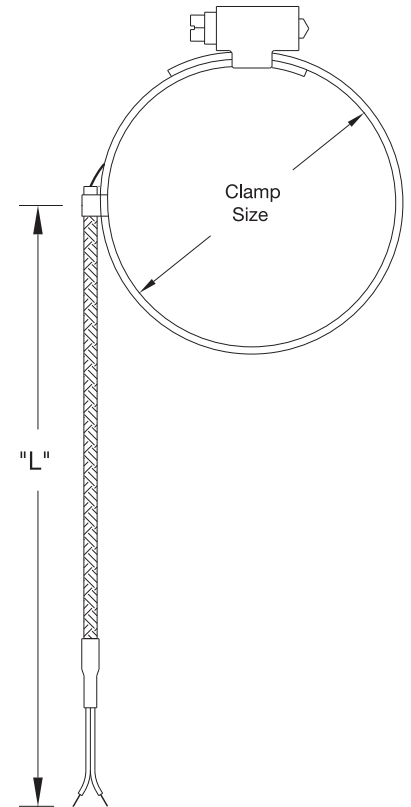
### Pipe Clamp Thermocouples

#### Design Features

\* *Stainless Steel Worm Drive Clamp 1/2" wide*

\* *Ideal for Measuring Pipe Temperatures*

\* *Thermocouple Junction Grounded to Clamp*



Ordering Code: **TPW** -  1  2  3  4  5  6

**Clamp Size** BOX 1  
 1 = 1/2" to 7/8"  
 2 = 7/8" to 1-1/2"  
 3 = 1-5/16" to 2-1/4"  
 4 = 2-1/4" to 3-5/16"  
 5 = 3-5/16" to 4-1/4"  
 6 = 4-5/16" to 5-1/4"  
 7 = 5-5/8" to 8-1/2" (9/16" Wide)  
 X = Other (Specify)

**Lead Insulation** BOX 4 w/ SS Overbraid  
 Fiberglass 900°F (482°C) **S** **B**  
 Teflon 400°F (204°C) **T** **D**

**Termination** BOX 5 †  
**B** = 2-1/2 in. Split Leads **K** = Standard Plug and Jack  
**S** = Spade Lugs **D** = Miniature Plug  
**C** = Spade Lugs with BX Conn. **E** = Miniature Jack  
**P** = Standard Plug **F** = Mini. Plug and Jack  
**J** = Standard Jack **X** = Other (Specify)

**Calibration** BOX 2  
 ANSI Standard Tolerances **J** **K** **E** **T**

† See page 14-9 for Termination Style descriptions

**Special Requirements** BOX 6  
**X** = Specify  
**0** = None

**"L" Dimension** BOX 3  
 Whole inches  
 Example: Enter **048** for 48 inches

### Ordering Information

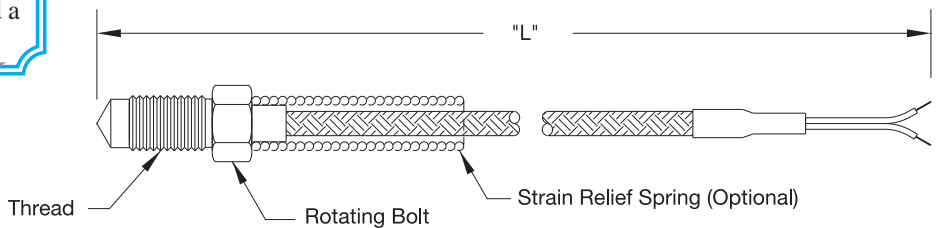
TRW, TSW, TPW and TNW Thermocouples are offered with the options listed in the worksheets. Create an ordering code by filling in the boxes with the appropriate number and/or letter designation for your requirements, and a part number will be assigned.

#### Design Features

\* *Mounted in a shallow threaded hole on the nozzle surface (there is no direct contact with material flow)*

\* *Grounded junction*

### Nozzle Thermocouples



Ordering Code: **TNW** -  1  2  3  4  5  6  7

**Thread Size** BOX 1  
 1 = 1/4-28 UNF  
 2 = 1/4-20 UNC  
 3 = M6 x 1  
 4 = M8 x 1.25  
 X = Other (Specify)

**Lead Insulation** BOX 4 w/ SS Overbraid  
 Fiberglass 900°F (482°C) **S** **B**  
 Teflon 400°F (204°C) **T** **D**

**Termination** BOX 5 †  
**B** = 2-1/2 in. Split Leads **P** = Standard Plug **D** = Miniature Plug  
**S** = Spade Lugs **J** = Standard Jack **E** = Miniature Jack  
**C** = Spade Lugs with BX Conn. **K** = Standard Plug and Jack **F** = Mini. Plug and Jack  
**X** = Other (Specify)

**Calibration** BOX 2  
 ANSI Standard Tolerances **J** **K** **E** **T** **N**

† See page 14-9 for Termination Style descriptions

**"L" Dimension** BOX 3  
 Whole inches  
 Example: Enter **048** for 48 inches

**Strain Relief Spring** BOX 6  
**0** = Not Required  
**Y** = Required

**Special Requirements** BOX 7  
**X** = Specify  
**0** = None

**WARNING:** Cancer and Reproductive Harm - [www.P65Warnings.ca.gov](http://www.P65Warnings.ca.gov)