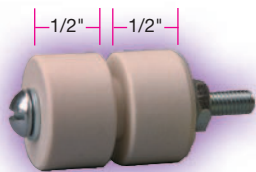


### Stock Ceramic Accessories



#### Secondary Insulating Bushings

Used to mount finned strip heaters in air heating applications. Also can be used when it is necessary to electrically isolate the heater from ground.

When Insulating Bushings are required, a 1/2" x 5/8" slot is substituted for the standard slot size (5/16" x 1/2").

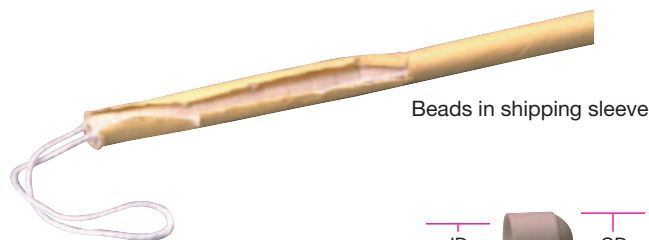
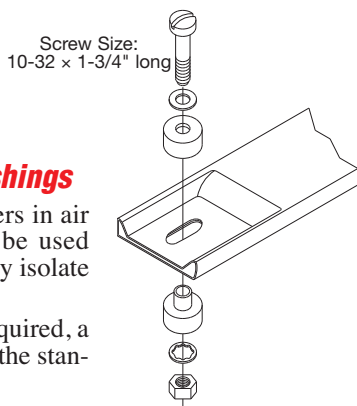
#### Insulating Bushing Assembly

**Part Number: CERR-1001**

**NOTE:** Two assemblies are required for each heater.

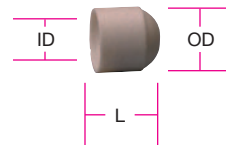


When using secondary insulating bushings, the heater must be guarded to avoid any accidental contact. The guard must be electrically isolated from the heater and must be properly grounded.



#### Ceramic Beads

Used to insulate bare lead wire at extremely high temperatures.



O.D. (in)	I.D. (in)	Length	Packaging	Sold By	Part Number
.110	.056	.110	67 beads/6" sleeve	Sleeve	CER-103-101
.170	.068	.170	86 beads/12" sleeve	Sleeve	CER-103-102
.200	.092	.200	36 beads/6" sleeve	Sleeve	CER-103-103
.200	.092	.200	bulk—loose	Piece	CER-103-104
.330	.124	.330	bulk—loose	Piece	CER-103-105
.203	.085	.203	bulk—loose	Piece	CER-103-108

### Ceramic Covers for Insulating Screw Terminals

Used on the following heaters:

Mica Band • Ceramic Band • Mi-Plus® • Channel Strip • Finned Strip • Mica Strip

Provides an electrically safe environment on standard screw terminals.

Can be field retrofit or factory installed.

#### Igloo™ Ceramic Caps

Thread	Part Number
10-32	CER-102-101
10-24	CER-102-104
8-32	CER-102-105

Caps fit all Igloo™ bases below.

#### Ceramic Cap

Thread	Part Number
10-32	CER-102-101
10-24	CER-102-104
8-32	CER-102-105

All three caps fit conventional base.

#### Conventional Ceramic Base

Use with insulated terminals only.

**Part Number: CER-101-101**



#### Igloo™ Ceramic Bases

Type	Part Number
Double Port In-Line	CER-101-104
Double Port 90°	CER-101-106
Single Port	CER-101-107

Ceramic Cap CER-102-103 and Base CER-101-103 below are primarily used on cast-in .430 diameter tubular heating elements



#### Description

Ceramic Cap w/10-32 thread  
Ceramic Base – .430 diameter

#### Part Number

CER-102-103  
CER-101-103

*All Items Available from Stock*