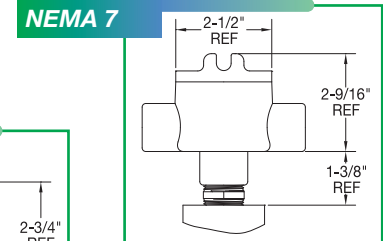
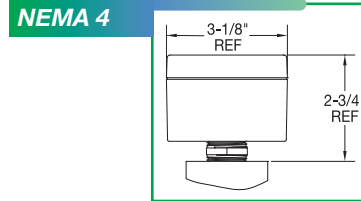
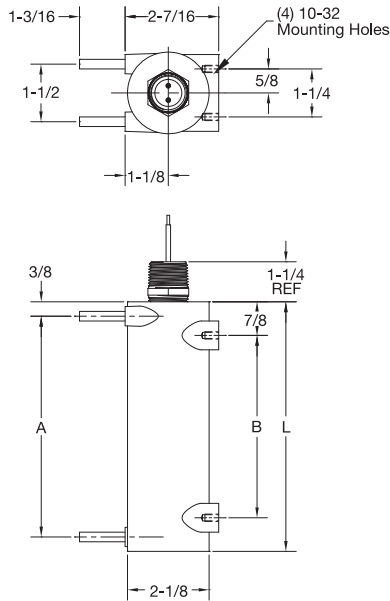


CHX-100 Series Circulation Heater



Ordering Information
 To process your order or quotation, please specify the following information.

Length "L"	Inlet-to-Outlet Centerline "A"	Mounting Holes "B"	Flow Tube OD	Flow Tube Material	Used with Insulation Blanket
6.5	5.75	4.75	1/4	316 SS Seamless	BLK50001
12.5	11.75	10.75			BLK50002

Heater Specifications:

Dimensions

Length "L": 6.5" 12.5" Custom _____

Electrical Specifications

Watts _____ (3,000W Max.) Volts _____ (240V Max., Single Phase only)

Termination Type

Type CN – NPT Fitting with 10" Leads

Terminal Protection Box

NEMA 4 NEMA 7

Flow Tube Fittings

None "FF" Flared Seal Fitting "HS" Hi-Seal Fitting
 (See page 3-52 for complete details.)

Optional Temperature Sensor Specifications:

Calibration

Type J Type K

Bayonet Style T/C

None "Style 1" Spring Adjustable "Style 2" Armor Cable Adjustable
 (See page 14-3 for complete details.)

Termination

"Style B" 2-1/2" Split Leads "Style S" Spade Lugs "Style P" Standard Plug
 (See page 14-9 for details.)

Length

36" 48" 60" 72" 96" 120" 144"

Optional Thermostat:

Thermostat

High Limit Manual Reset (Standard) High Limit Automatic Reset (Optional)
 (See page 13-76 through 13-79 for details.)

⚠ WARNING: Cancer and Reproductive Harm - www.P65Warnings.ca.gov.