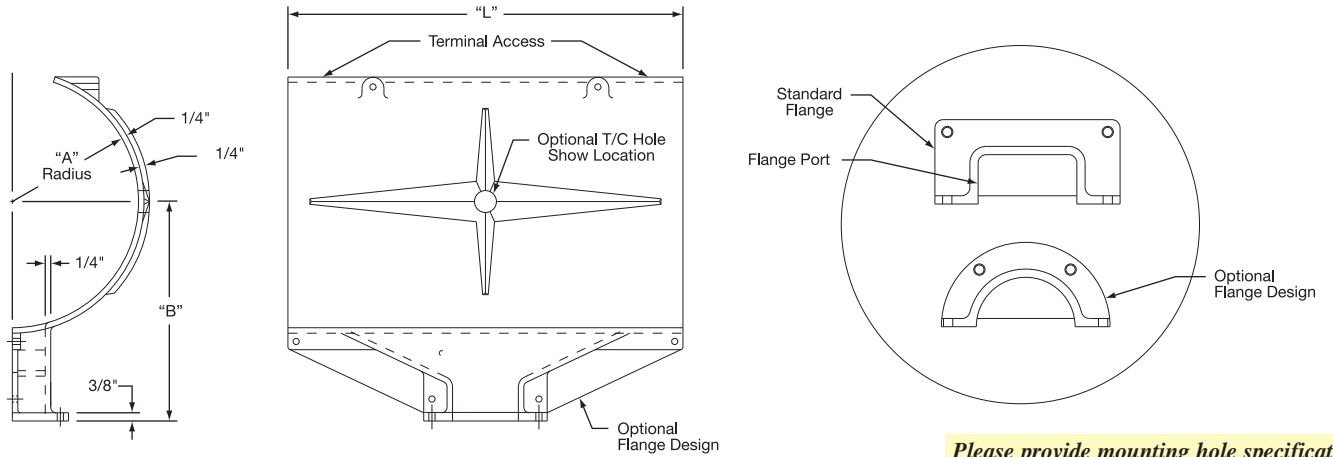


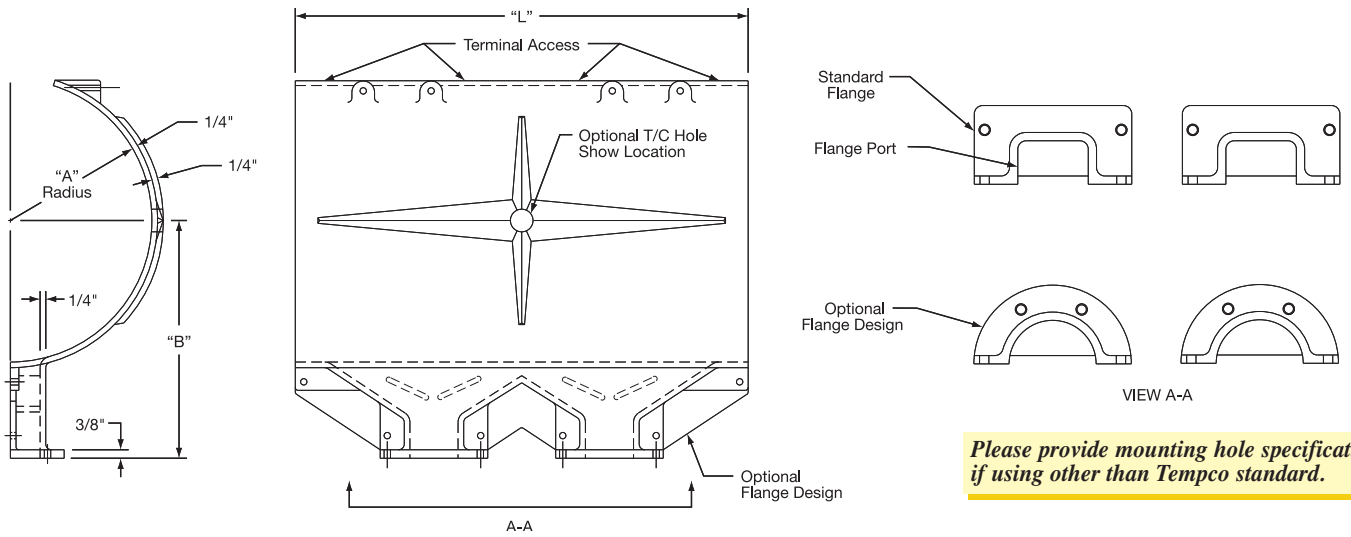
### Selection of Arctic Cast® Shroud Design Styles

#### Shroud Style A



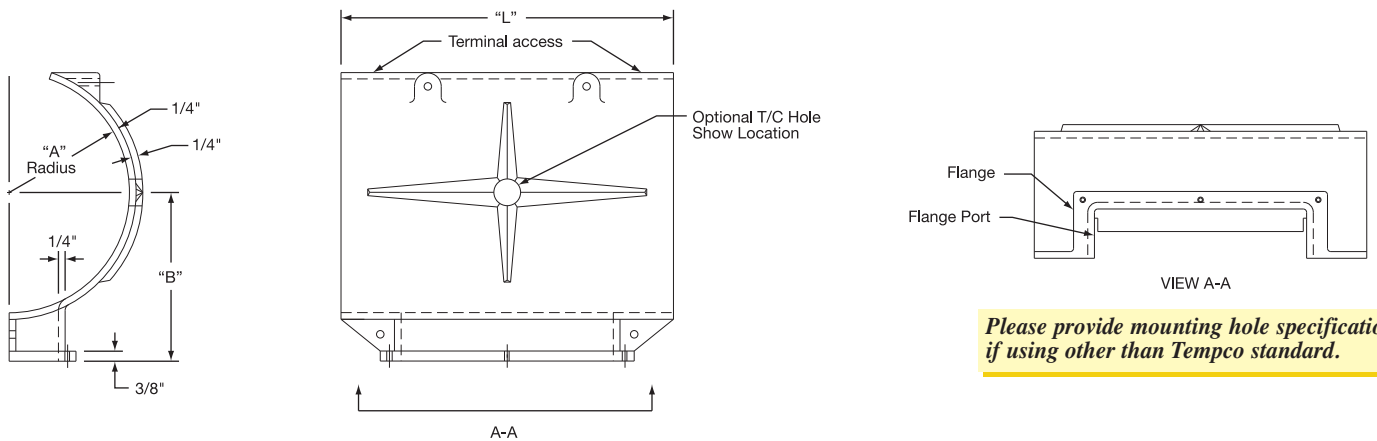
*Please provide mounting hole specifications if using other than Tempco standard.*

#### Shroud Style B



*Please provide mounting hole specifications if using other than Tempco standard.*

#### Shroud Style C



*Please provide mounting hole specifications if using other than Tempco standard.*