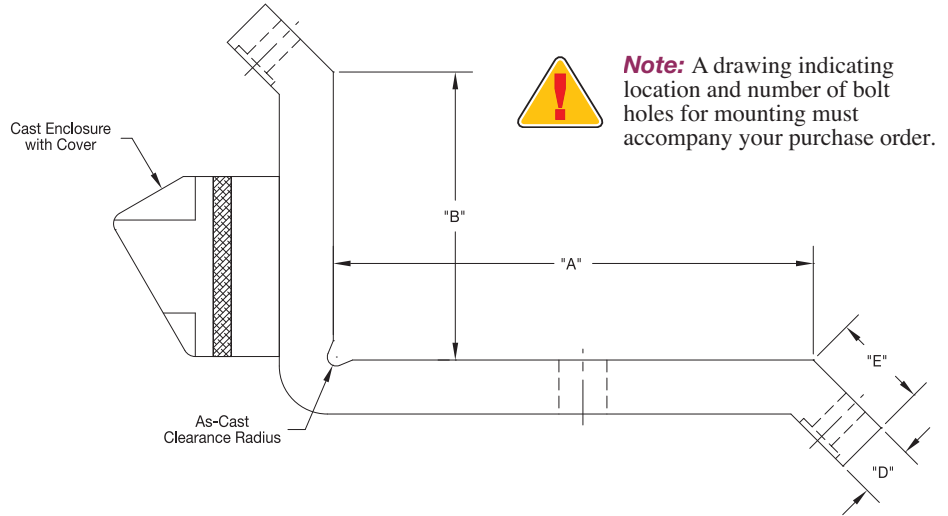
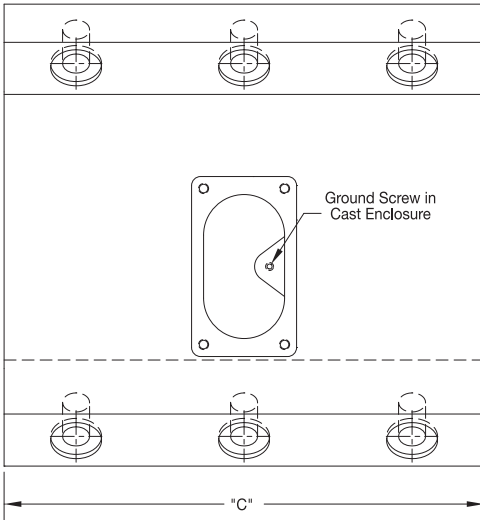


Ordering Information

"L" Shaped Cast-In Heaters – 45° Flange Mount Style Ordering Information



"L" Shaped Cast-In Heaters — 45° Flange Mount Style

Dimensions

"A" _____ "B" _____ "C" _____
 "D" _____ "E" _____

Ordering Information

To process your order or quotation, please specify the following information.

Material Specifications

Aluminum Bronze Brass

Electrical Specifications

Watts each piece _____ Volts each piece _____ Phase _____

Termination Style

"S" Post Terminals "T7" Post Terminals "T" Post Terminals
 "R1" Armor Cable Leads "E" Right Angle Lugs

Terminal Protection Box

None "C2" Standard Cast on box as shown
 "EP" Explosion Resistant "MR1" Rigid Moisture Resistant Box
 "MPR" Moisture Resistant Box "P2" High Temperature Quick Disconnect

Clamping Style

Bolt Clamp Other

Cooling Tube Specifications

1/4" O.D. SS 3/8" O.D. SS 1/2" O.D. SS
 3/8" O.D. Incoloy® 1/2" O.D. Incoloy® Dual Cooling Tubes
 Standard Wall Thickness Other Wall Thickness, Specify _____
 (See page 3-5 for Standard Wall Thickness Information)

Cooling Tube Fittings

Non-exposed 3/8" NPTF "HS" Hi-Seal Fitting "RA" 90° Copper Elbow
 Non-exposed 1/2" NPTF "RT" 90° Threaded Elbow
 "FF" Flared Seal "R3" Straight Threaded

Surface Finish

125 RMS Standard or to Customer Specifications

Special Cast-In Features

Holes, Cutouts, Slots, Bevels, Mounting Studs, Stand-Offs and Taper Angles.
For special features a detailed drawing is required.

WARNING: Cancer and Reproductive Harm - www.P65Warnings.ca.gov.