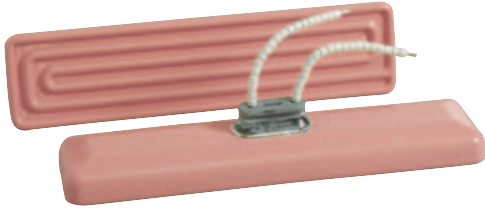


### Insulated Flat Face Short Neck Series CRN and CRZ Ceramic E-Mitters



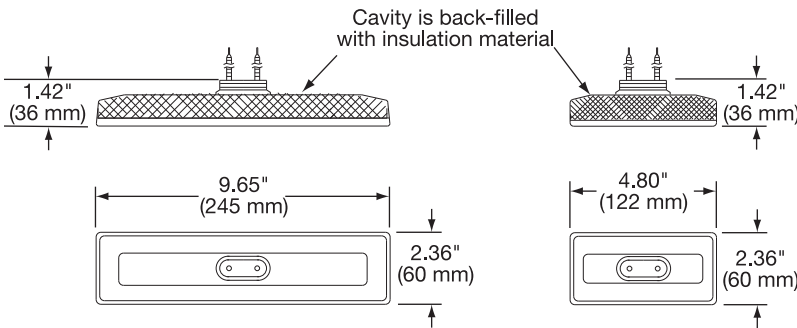
#### Design Features

- \* Universal mount designed to be dropped into existing systems regardless of manufacturer.
- \* Standard colors are metamorphing rose (cold) to grey (hot), and traditional white. Optional colors are metamorphing yellow (cold) to orange (hot), and black.
- \* Standard stocked voltage: 120 or 220/240V as noted; other voltages are available.
- \* Available with built-in type K thermocouple. Optional type J thermocouple is also available.
- \* Long operating life—over 10,000-plus hours of continuous operation under normal conditions
- \* Performance is unaffected under adverse atmospheric conditions.
- \* 2.5 to 6 $\mu$ m infrared radiation wavelength

#### Series CRN Dimensions

#### Series CRZ Dimensions

Slot size for ceramic mounting heads  
0.593" X 1.688" obround hole



#### CRN and CRZ E-Mitter Construction

1. **LESS MASS.** A special manufacturing process allows construction with thin walls that withstand larger temperature gradients. The embedded resistance coils heat up the low mass body at a faster rate, providing energy savings.
2. **SUPERIOR INSULATING MATERIAL.** The hollow inner area is filled with low-mass ceramic fiber to further insulate the contact region from the e-mitter surface, resulting in an improved operating life.

### Ordering Information

#### Standard Heaters

Order by Part Number for Standard (Non-Stock) heaters.

#### Custom Engineered/Manufactured Heaters

Understanding that an electric heater can be very application specific, for sizes and ratings not listed, **TEMPCO** can manufacture a CRN or CRZ E-Mitter to meet your requirements. **Standard lead time is 3 weeks.**

**Please Specify** the following:

- Size:** CRN or CRZ
- Colors:** Standard are metamorphing rose and straight white, optional are metamorphing yellow and straight black
- Wattage:** Up to 35w/in<sup>2</sup> (5.4w/cm<sup>2</sup>)
- Voltage:** 120, 208, 240, 277, 480 and others (dependent on design)
- Thermocouple:** Standard Type K or optional Type J
- Additional Options:** Start on page 7-20

**⚠ WARNING:** Cancer and Reproductive Harm - [www.P65Warnings.ca.gov](http://www.P65Warnings.ca.gov).