

Mounting Accessories and Low Noise Thermocouple Option

One-Piece Mounting Clip (Standard)

Designed for heater mounting with 22 ga (.028") to 20 ga (.037") sheet metal.

Part Number SPR-103-102

Thinner or thicker materials require the Two-Piece Mounting Clip.



Standard mounting spring clip shipped with heaters



Two-Piece Wave Mounting Clip (Optional)

The two-piece wave spring clip and holding clip assembly is used for mounting heaters in materials thicker than 20 ga (.037") or thinner than 22 ga (.028")

Part Number: CRK00008

All Items Available from Stock

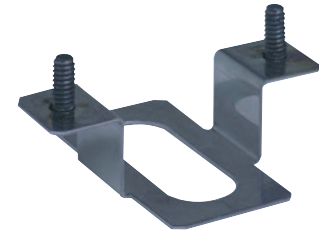
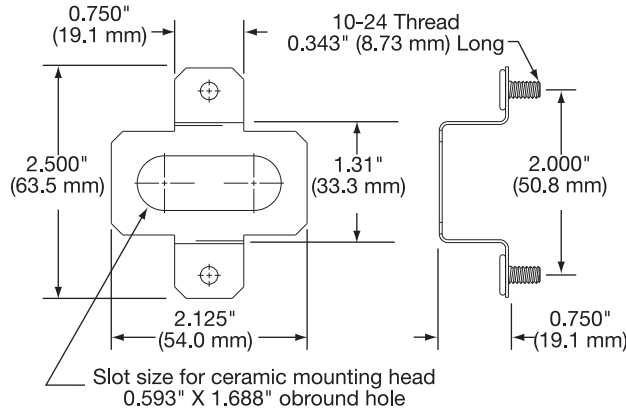
Single Element Mounting Bracket

A convenient method for mounting individual E-Mitters to a flat surface or panel for spot heating applications

Part Number: CRK00018

The picture shows how the single element mounting bracket can be used to develop a panel array using Series CRB or CRC Ceramic E-Mitters or others with the same mounting head design.

High Temperature Ceramic Terminal Blocks (Part Number EHD-108-101) are used to connect power to the heater leads and can also be used for making thermocouple connections.



Part Number: CRK00018

Low Noise Thermocouple Option

Generally the standard thermocouple is acceptable for the majority of applications. Most instrumentation inputs have noise rejection sufficient to filter out unwanted 60 hz AC noise that the thermocouple picks up from being mounted close to the coil element for ideal temperature sensing.

For those applications where emf generated noise is a problem for the instrument, Tempco offers a low noise thermocouple solution. The low noise thermocouple option is designed to minimize the induced AC noise by using stainless steel overbraid on the high temperature fiberglass color-coded 24 GA solid leads as a ground shield and a ceramic insulator at the thermocouple junction.



Designed for use in the CRB, CRC, CRL, CRG and CRM solid curved and flat face style heaters. Low noise thermocouples can only be factory installed and must be specified at time of ordering.

Thermocouple Type	Termination	Lead Length (in)
K	Straight Pigtails	8
K	Straight Pigtails	12
K	Straight Pigtails	24
K	Straight Pigtails	48
J	Straight Pigtails	12
J	Straight Pigtails	48

View Product Inventory @ www.tempco.com