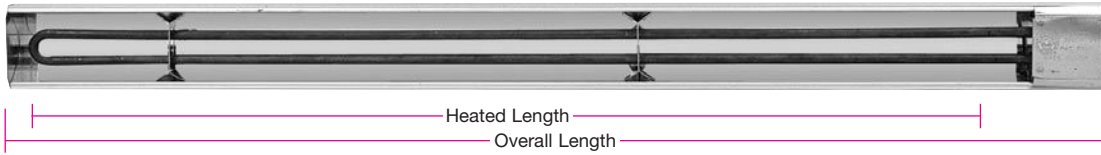


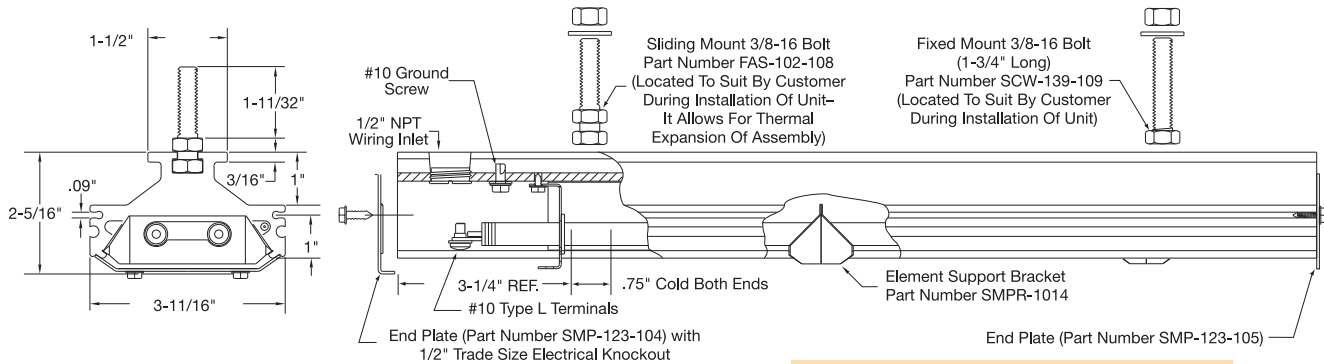
TRH3 Series — Single Hairpin Element Bend Single End Termination



Standard (Non-Stock) and Stock Sizes and Electrical Ratings

Stock Items Are Shown In **RED**

Wattage	Volts	Overall Length in.	Heated Length in.	Part Number without Wire Guard	Part Number with Protective Wire Guard	Replacement Heating Element	Replacement Protective Wire Guard	Replacement Reflector
800	120	12	7	TRH30001	TRH30036	THE09133	GRD-104-112	SMPR-1028
	208			TRH30002	TRH30037	THE09134		
	240			TRH30003	TRH30038	THE09135		
	277			TRH30004	TRH30039	THE09136		
				TRH30005	TRH30040	THE09137		
1200	120	18	13	TRH30006	TRH30041	THE09138	GRD-104-113	SMPR-1029
	208			TRH30007	TRH30042	THE09139		
	240			TRH30008	TRH30043	THE09140		
	277			TRH30009	TRH30044	THE09141		
				TRH30010	TRH30045	THE09142		
1800	208	24	19	TRH30011	TRH30046	THE09143	GRD-104-114	SMPR-1030
	240			TRH30012	TRH30047	THE09144		
	277			TRH30013	TRH30048	THE09145		
	480			TRH30014	TRH30049	THE09146		
				TRH30015	TRH30050	THE09147		
2500	208	30	25	TRH30016	TRH30051	THE09148	GRD-104-115	SMPR-1031
	240			TRH30017	TRH30052	THE09149		
	277			TRH30018	TRH30053	THE09150		
	480			TRH30019	TRH30054	THE09151		
				TRH30020	TRH30035	THE09152		
3000	208	36	31	TRH30021	TRH30055	THE09153	GRD-104-116	SMPR-1032
	240			TRH30022	TRH30056	THE09154		
	277			TRH30023	TRH30057	THE09155		
	480			TRH30024	TRH30058	THE09156		
				TRH30025	TRH30059	THE09157		
5000	208	60	55	TRH30026	TRH30060	THE09158	GRD-104-118	SMPR-1034
	240			TRH30027	TRH30061	THE09159		
	277			TRH30028	TRH30062	THE09160		
	480			TRH30030	TRH30064	THE10305		
				TRH30031	TRH30065	THE10306		
6000	208	72	67	TRH30032	TRH30066	THE10307	GRD-104-124	SMPR-1095
	240			TRH30033	TRH30067	THE10308		
	277							
	480							



See Page 7-84 for Wiring Options

See Page 7-84 for Stock Heavy Duty Quick Disconnect Plugs and Receptacles