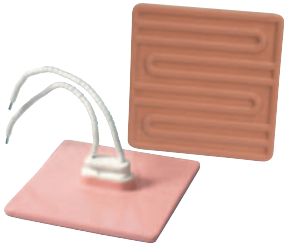




Series CRG Flat Face Ceramic E-Mitters – Size: 122 mm (4.80") square



Color shown is
rose (cold) to grey (hot)

Optional Features

- * *Additional Power or Thermocouple Lead Lengths (page 7-23)*
- * *Two-Piece Wave Mounting Clip (page 7-14)*
- * *Reflectors and Other Accessories (pages 7-20 through 7-23)*
- * *Arrays and Power/Temperature Control Panels (start on page 7-15)*

Standard (Non-Stock) CRG E-Mitters

E-Mitters listed have 3-1/2" ceramic bead insulated leads, #8-10 spade terminals, and a one-piece spring clip for mounting in 20 or 22 gauge sheet metal.

Wattage	Voltage	Color	Watt Density*		Heater Body Temp.**		Part Number	
			(W/in ²)	(W/cm ²)	(Typical Operating) °F	°C	Without Thermocouple	With Type K Thermocouple
250	220/240	Rose to Grey	10.9	1.7	758	403	CRG10026	CRG10027
250	220/240	White	10.9	1.7	758	403	CRG00026	CRG00027
325	220/240	Rose to Grey	14.1	2.2	862	461	CRG10028	CRG10029
325	220/240	White	14.1	2.2	862	461	CRG00028	CRG00029
400	220/240	Rose to Grey	17.4	2.7	944	507	CRG10030	CRG10031
400	220/240	White	17.4	2.7	944	507	CRG00030	CRG00031
650	220/240	Rose to Grey	28.2	4.4	1159	626	CRG10032	CRG10033
650	220/240	White	28.2	4.4	1159	626	CRG00032	CRG00033
800	220/240	Rose to Grey	34.7	5.4	1287	697	CRG10034	CRG10035
800	220/240	White	34.7	5.4	1287	697	CRG00034	CRG00035
1000	220/240	Rose to Grey	43.4	6.7	1422	772	CRG10036	CRG10037
1000	220/240	White	43.4	6.7	1422	772	CRG00036	CRG00037

Series CRG Flat Face Ceramic E-Mitter Specifications

Watts/Square Inch vs. Temperature Data

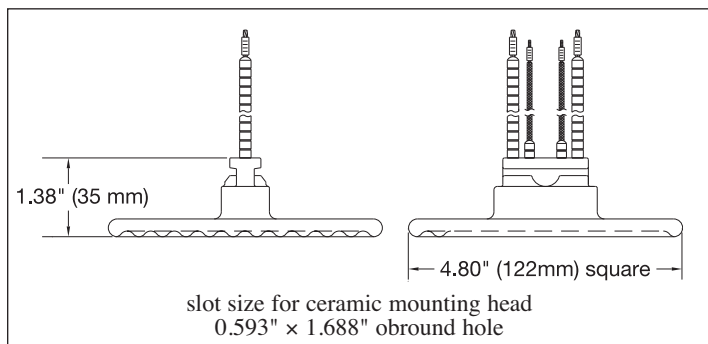
Watts	Surface W/in ² *	Heater Body °F Rise	Heater Body Temp @ 72°F**	Primary Emitted Wavelength*** (μ)
250	10.9	686	758	4.28
325	14.1	790	862	3.95
400	17.4	872	944	3.72
650	28.2	1087	1159	3.22
800	34.7	1215	1287	2.99
1000	43.4	1350	1422	2.77

* **Watt density** calculated using heater face surface area.

** **E-Mitter heater body temperature** as measured with internal thermocouple when mounted facedown in stock CRK reflector and operating in 72°F (22°C) room ambient.

*** **Peak infrared radiation wavelength** as calculated from Wien's Law, for operating temperature shown. Expressed in microns (μm).

Series CRG Dimensions



CRG Ordering Information

See page 7-2