

### Flexible Heater Built-in Thermostats

#### Flexible Heater Pre-Set and Adjustable Built-In Thermostats

Pre-set thermostats provide a low-cost means of providing built-in control of surface heaters. The thermostat is normally wired directly into the heater. If the current draw of the heater exceeds the rating of the thermostat, the voltage is over 250V, has a Dual Voltage Design, or is 3-ph, separate leads on the thermostat will be supplied for use with a separate (remote) relay to control the heater (see pages 13-94, 95, 96).

The thermostats are normally mounted over a heated section to sense the heater's temperature or optionally over a cold section to indirectly sense the temperature of the load. The thermostat is enclosed in a molded silicone rubber housing and permanently attached to the heater.

*Specify type and location when ordering.*



**Note:** If heater amps exceed thermostat electrical ratings, separate leads will be provided for use with a relay (see pages 13-94 through 13-96).

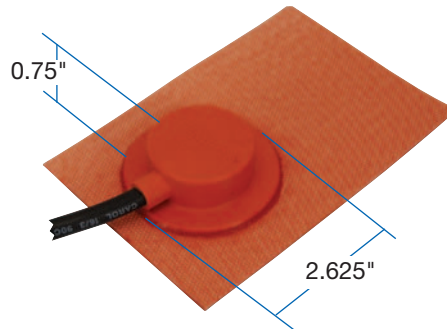
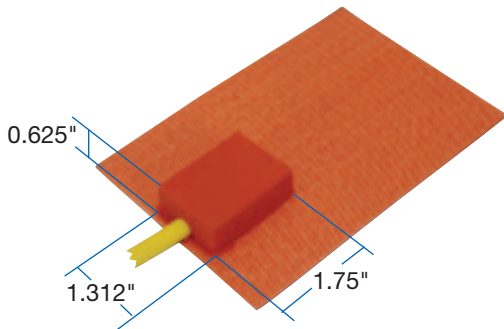
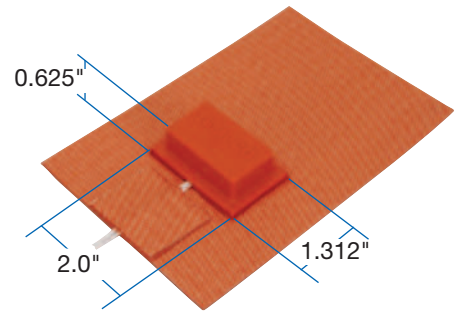
#### Snap Action Thermostat – Automatic Reset

Quick cutout on rise to temperature. The contacts will open on rise when the temperature increases to the snap point of the calibrated bimetal disc.

**Setpoint** (opens): available from 50 to 450°F in 10°F increments  
most thermostats close 20 to 30°F below setpoint (see page 13-82)

**Electrical Ratings:** 125 Vac, 15 Amp, 1875W  
250 Vac, 10 Amp, 2500W

**Minimum Heater Width:** 1.312"



#### Adjustable Thermostat

Adjustable thermostats allow the user to dial-in a specific temperature and attain a desired result. The thermostat is enclosed in a molded silicone rubber housing and permanently attached to the heater. The adjustment shaft extends through a pre-formed hole. A high temperature knob is included.

**Amps:** 12.5A @ 125V, 6.5 A @ 250V

**Watts:** 1500W @ 120V, 1560W @ 240V

**Adjustment Ranges Available:**

- 50 to 425°F (10 to 218°C)
- 90 to 140°F (32 to 60°C)
- 100 to 190°F (38 to 88°C)
- 70 to 190°F (21 to 88°C)
- 50 to 160°F (10 to 71°C)
- 70 to 140°F (21 to 60°C)

**Minimum Heater Width:** 1.75" (44.5 mm)

